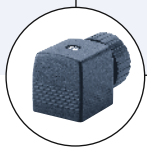


## 2/2-way-Solenoid Valve for neutral media up to +180°C, G 1/2 - G 1

- Solenoid valve with servo-piston
- Temperatures up to + 180 °C
- For neutral media, incl. steam
- Push-over coil system
- Threaded and flange valve bodies

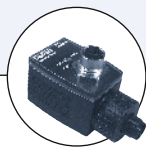
Type 0406 can be combined with...



**Type 2508**  
Cable plug



**Type 1078**  
Timer unit



**Type 2511**  
ASI cable plug

Type 0406 is a pilot controlled solenoid valve with servo-piston and is suitable for media up to +180 °C. A minimum differential pressure of 1 bar is required to fully open the valve.

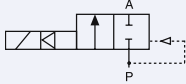
The valve is closed by its own media pressure and spring force without power supply.

| Technical data               |  |
|------------------------------|--|
| <b>Orifice</b>               | DN 13 - 25   |
| <b>Body material</b>         | Brass, grey cast iron  |
| <b>Coil material</b>         | Epoxy  |
| <b>Coil insulation class</b> | H  |
| <b>Seal material</b>         | PTFE/graphite  |
| <b>Media</b>                 | Neutral media such as hot water and steam  |
| <b>Media temperature</b>     | -10 to +180 °C   |
| <b>Ambient temperature</b>   | max. +55 °C  |
| <b>Viscosity</b>             | max. 21 mm <sup>2</sup> /s   |
| <b>Voltage tolerance</b>     | ±10%   |
| <b>Duty cycle</b>            | 100% continuous rating   |
| <b>Electrical connection</b> | Cable plug for Ø 7 mm cable, acc. to DIN EN 175301-803 Form A (supplied as standard) |
| <b>Protection class</b>      | IP 65 with cable plug  |
| <b>Installation</b>          | As required, preferably with actuator upright  |

| Power consumption  |                   |                 |        |
|--------------------|-------------------|-----------------|--------|
| Orifice<br>DN [mm] | Inrush<br>AC [VA] | Hold (hot coil) |        |
|                    |                   | AC [VA/W]       | DC [W] |
| 13-25              | 21                | 12/8            | 8      |
| 32-40              | 35-40             | 16/12           | -      |

## Ordering chart for valves (other versions on request)

All valves with PTFE and graphite-seal, with cable plug (exception see footnote)

| Circuit function   | Port connection         | Orifice [mm] | Kv-value water [m <sup>3</sup> /h] | Pressure range [bar] | Body material | Item no. per voltage/frequency [V/Hz] |           |         |         |
|--|-------------------------|--------------|------------------------------------|----------------------|---------------|---------------------------------------|-----------|---------|---------|
|  |                         |              |                                    |                      |               | 024/DC                                | 024/50    | 230/50  |         |
| <b>A</b> 2/2-way-valve NC<br> | G 1/2                   | 13           | 3.7                                | 1 - 4                | Brass         | 019 310                               | -         | -       |         |
|  | G 3/4                   | 20           | 5.0                                | 1 - 12               | Brass         | -                                     | 020 541   | 061 305 |         |
|  |                         |              |                                    | 1 - 4                | Brass         | 021 004                               | -         | -       |         |
|  | G 1                     | 25           | 10.0                               | 1 - 12               | Brass         | -                                     | 019 818   | 061 303 |         |
|  |                         |              |                                    | 1 - 4                | Brass         | 019 983                               | -         | -       |         |
|  | Flange acc. to DIN 2501 |              |                                    | 10.0                 | 1 - 4         | GG25                                  | 078 255 ■ | -       | -       |
|  |                         |              |                                    |                      | 1 - 12        | GG25                                  | -         | -       | 022 126 |

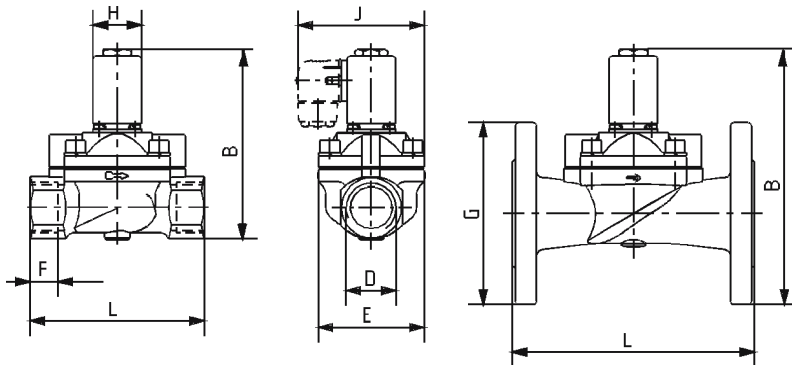
■ Flange version with Item-no. 078 255 (024/DC) supplied without cable plug.

### **i** Further versions on request

**⚡ Voltage**  
110/50, non-standard voltages

**🔍 Approvals**  
UL, UR, CSA

### Dimensions [mm]



| DN | D      | B   | E  | F  | G   | H  | J  | L   |
|----|--------|-----|----|----|-----|----|----|-----|
| 13 | G 1/2  | 113 | 40 | 14 | -   | 32 | 69 | 65  |
| 20 | G 3/4  | 115 | 60 | 16 | -   | 32 | 79 | 100 |
| 25 | G 1    | 125 | 70 | 18 | -   | 32 | 84 | 115 |
| 25 | Flange | 169 | 73 | -  | 120 | 32 | 86 | 160 |

To find your nearest Bürkert facility, click on the orange box → [www.burkert.com](http://www.burkert.com)

In case of special application conditions, please consult for advice.

We reserve the right to make technical changes without notice.  
© Christian Bürkert GmbH & Co. KG

0801/1\_EU-en\_00891629