

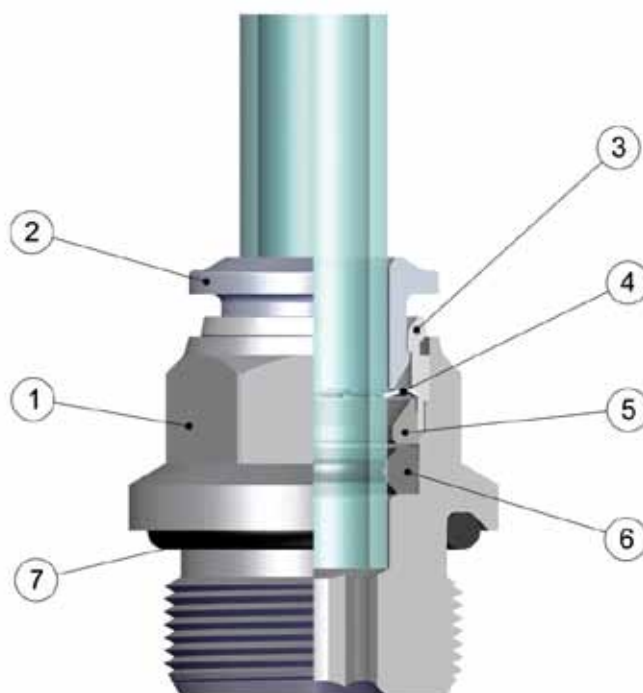


57000

Serie 57000

RACCORDI AD INNESTO AUTOMATICO CON SPINTORE IN METALLO
PUSH-IN FITTINGS WITH METAL COLLET

Caratteristiche Tecniche / Technical Characteristics



**FKM O EPDM
A RICHIESTA
IF REQUESTED
FKM OR EPDM**

Materiali e Componenti / Component Parts and Materials

- | | |
|--|---|
| 1 Corpo in Ottone Nichelato | 1 Nickel-plated brass Body |
| 2 Spintore sgancio tubo in Ottone Nichelato | 2 Nickel-plated brass Collet |
| 3 Capsula in ottone nichelato | 3 Nickel-plated brass Capsule |
| 4 Pinza d'aggraffaggio in acciaio inox aisi 301 | 4 Steel aisi 301 Clamping washer |
| 5 Anello di sicurezza in Tecnopolimero | 5 Technopolymeric Safety ring |
| 6 Guarnizione a labbro in NBR (FKM o EPDM a richiesta) | 6 Nbr Lip seal (if requested FKM) |
| 7 Guarnizione filetto in NBR (FKM o EPDM a richiesta) | 7 Nbr Thread packing (if requested FKM) |

Pressioni / Pressures

Pressione minima / Minimum pressure: **-0.99 bar** (-0.099 MPa)
 Pressione massima / Maximum pressure: **15 bar** (1.5 MPa)

Temperature / Temperatures

Temperatura minima / Minimum temperature: -20 °C
 Temperatura massima / Maximum temperature: +80 °C
Con Guarnizioni FKM / With FKM Seals
 Temperatura minima / Minimum temperature: -15 °C
 Temperatura massima / Maximum temperature: +200 °C
Con Guarnizioni EPDM / With EPDM Seals
 Temperatura minima / Minimum temperature: -40 °C
 Temperatura massima / Maximum temperature: +160 °C

Filettature / Threads

Filettatura conica "short" / "Short" taper thread.
 Gas conica conforme ISO 7.1, BS 21, DIN 2999 / Tapered gas in conformity with ISO 7.1, BS 21, DIN 2999.
 Gas cilindrica conforme ISO 228 Classe A / Parallel gas in conformity with ISO 228 Class A.

Tubi di collegamento / Connection Tubes

Tubi in materiale plastico:
 PA6, PA11, PA12, Polietilene, *Poliuretano;ecc.
 *Per tubi in Poliuretano é consigliata una durezza di 98 shore.
 Plastic tubes:
 PA6, PA11, PA12, Polyethylene, *Polyurethane, ecc.
 *For Polyurethane hoses it is required a minimum hardness of 98 shore.

Fluidi compatibili / Fluids

Aria compressa / Compressed air.
 Vuoto / Vacuum
 Acqua / Water

Fluidi per Industria alimentare e chimica compatibili con i componenti del raccordo.
 Fluid for food and chemical industry compatible with fitting components.

Filettature / Threads

La filettatura conica "short" è progettata per soddisfare le seguenti caratteristiche:

- ridurre la lunghezza d'ingombro
- ridurre la chiave rispetto ad alcuni raccordi con filettature cilindriche
- consentire l'accoppiamento con diversi standard di filettature femmina sia coniche che cilindriche

The "short" taper thread has been designed to offer the following advantages to the users:

- reduced overall length;
- smaller hex dimensions compared to the parallel threads;
- to allow the assembly with different female threads both taper as well as parallel;



NPT
NPTF

Conica
Tapered

ISO 7
BSPP

Cilindrica
Parallel

ISO 7
BSPT
PT

Conica
Tapered

ISO 228
BSP
PF

Cilindrica
Parallel

consentire una completa tenuta anche su superfici non perfettamente piane, concave, convesse o inclinate, con diversi smussi o raggi.

To ensure the right tightening, also with surfaces not perfectly flat, without spot-facing, concave convex and with different kinds of chamfers or radius.



Inclinate
Inclined



Concave
Concave



Convresse
Convex

Coppia di serraggio / Torque specifications



COPPIE DI SERRAGGIO PER FILETTATURE MASCHIO ISO-228 CON OR
TORQUE TO MALE THREADS ISO-228 WITH OR

MISURA MEASURE	COPPIA CONSIGLIATA Nm RECOMMENDED TORQUE Nm	COPPIA DI ROTTURA Nm BREAKING TORQUE Nm
M5	0,08	0,32
1/8	3	8
1/4	9	30
3/8	10	60
1/2	12	50

I VALORI DI ROTTURA POSSONO VARIARE IN BASE ALL'ARTICOLO
BREAKING VALUES MAY VARY ACCORDING TO THE ITEM



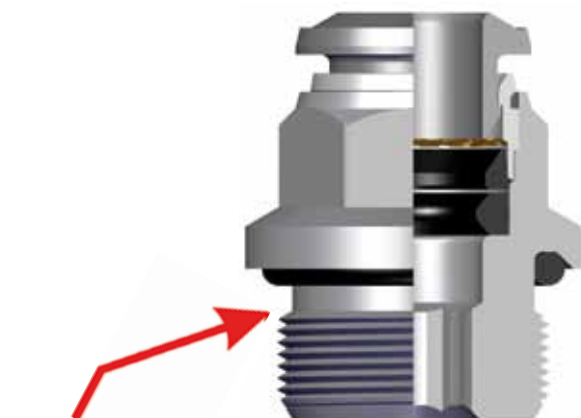
COPPIE DI SERRAGGIO PER FILETTATURE MASCHIO "SHORT"
TORQUE TO MALE THREADS "SHORT"

MISURA MEASURE	COPPIA MINIMA CONSIGLIATA Nm RECOMMENDED MINIMUM TORQUE Nm	COPPIA MASSIMA CONSIGLIATA Nm RECOMMENDED MAX TORQUE Nm
1/8	5	7
1/4	5	7
3/8	5	7
1/2	5	7

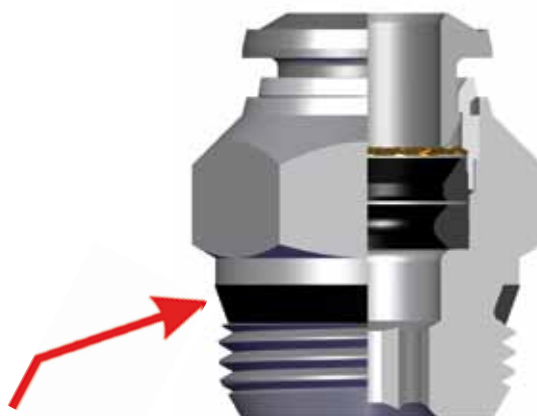
I VALORI DI ROTTURA POSSONO VARIARE IN BASE ALL'ARTICOLO
BREAKING VALUES MAY VARY ACCORDING TO THE ITEM

Tutte le filettature di questa serie (anche la misura da M5) sono state dotate di elementi di tenuta che permettono l'immediato utilizzo dei raccordi riducendo notevolmente i tempi di installazione.

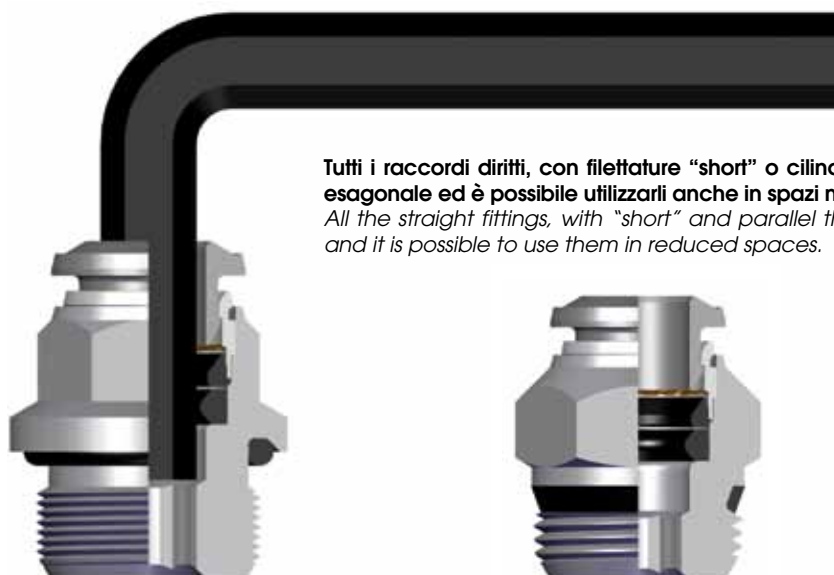
All of threads from this range (also the M5), have been equipped with tightening parts which allow the direct assembly of the fittings, reducing the installation time.



O-Ring di tenuta per filetti cilindrici
O-Ring of the parallel threads.



Anello di tenuta per filetti "short".
Thread packing for the "short" taper threads.



Tutti i raccordi dritti, con filettature "short" o cilindriche, possono essere montati anche con chiave esagonale ed è possibile utilizzarli anche in spazi molto ridotti.

All the straight fittings, with "short" and parallel threads can be assembled also with Allen wrench and it is possible to use them in reduced spaces.



Aggraffaggio Pinza / Clamping washer

La pinza in acciaio inox garantisce il perfetto aggraffaggio di tubi di qualsiasi materiale senza danneggiarne la superficie.

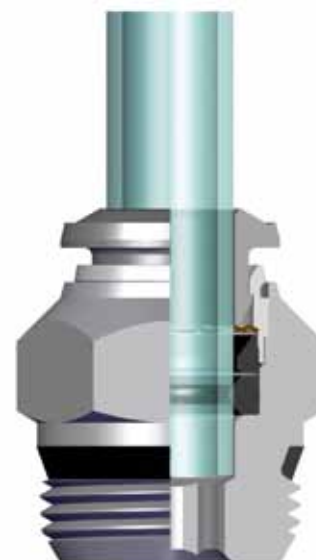
The washer is made in stainless steel ensure the perfect tube clamping with every kinds of materials without damage the surface.

Il collegamento tra tubo e raccordo assicura una tenuta totale anche in condizioni di urti e vibrazioni.

The connection between the tube and the fitting ensure a total tightness even in severe conditions such as impact and vibrations.

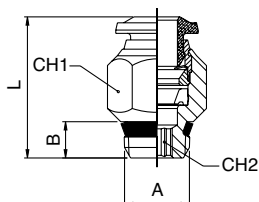
La particolare geometria della guarnizione permette inoltre l'utilizzo dei raccordi anche con il vuoto.

The particular geometric shape of the seal ensure the perfect tightness even with vacuum.



57000

RACCORDO DIRITTO MASCHIO SHORT - STRAIGHT MALE ADAPTOR (SHORT)

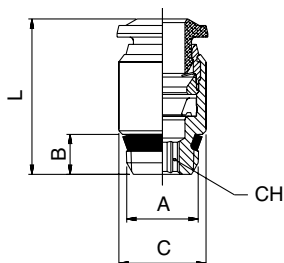


Codice Code	Tubo Tube	A	B	L	CH1	CH2	Conf. Pack.
*8900000003	4 (5/32) 1/8	5.5	18	11	3		10
*8900000004	4 (5/32) 1/4	7	19	14	3		10
5700000002	6 1/8	5.5	21.5	13	4		10
5700000003	6 1/4	7	21	14	4		10
5700000014	6 3/8	7.5	23	17	4		10
5700000015	6 1/2	9	23.5	21	4		10
*8900000008	8 (5/16) 1/8	5.5	24.5	14	5		10
*8900000009	8 (5/16) 1/4	7	22	14	6		10
*8900000010	8 (5/16) 3/8	7.5	23	17	6		10
*8900000022	8 (5/16) 1/2	9	23.5	21	6		10
5700000007	10 1/4	7	28	17	7		10
5700000008	10 3/8	7.5	25.5	17	8		10
5700000017	10 1/2	9	26	21	8		10
5700000009	12 1/4	7	31.5	20	7		10
5700000010	12 3/8	7.5	29.5	20	9		10
5700000018	12 1/2	9	31.5	21	10		10
5700000019	14 3/8	7.5	32.5	21	9		10
5700000020	14 1/2	9	31.5	21	10		10

*Articoli in comune con serie 89000 per tubi pollici
 *Items in common with series 89000 for inch tubes

57010

RACCORDO DIRITTO MASCHIO SHORT ESAGONO INCASSATO - STRAIGHT MALE ADAPTOR (SHORT) WITH EXAGON EMBEDDED

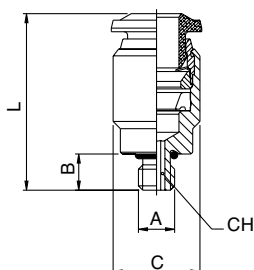


Codice Code	Tubo Tube	A	B	C	L	CH	Conf. Pack.
*8901000001	4 (5/32) 1/8	7.5	10	19	3		10
5701000003	6 1/8	7.5	12	22.5	4		10
5701000004	6 1/4	11	14	24.5	4		10
*8901000002	8 (5/16) 1/8	7.5	14	25.5	5		10
*8901000003	8 (5/16) 1/4	11	14	25	6		10

*Articoli in comune con serie 89000 per tubi pollici
 *Items in common with series 89000 for inch tubes

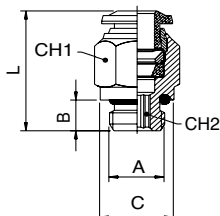
57010

RACCORDO DIRITTO MASCHIO CILINDRICO ESAGONO INCASSATO - STRAIGHT MALE ADAPTOR PARALLEL WITH EXAGON EMBEDDED



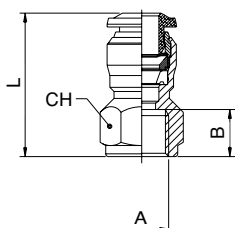
Codice Code	Tubo Tube	A	B	C	L	CH	Conf. Pack.
5701000001	4 M5	4	10	21	2.5		10
5701000009	4 M7x1	5	10	21	2.5		10
5701000007	6 M5	4	12	24.5	2.5		10

57020

RACCORDO DIRITTO MASCHIO CILINDRICO - STRAIGHT MALE ADAPTOR (PARALLEL)


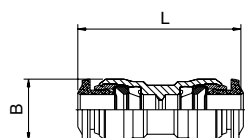
Codice Code	Tubo Tube	A	B	C	L	CH1	CH2	Conf. Pack.
570200001	4	M5	4	8	21	10	2	10
570200002	4	1/8	6	13	20	10	3	10
570200022	4	1/4	8	16	19.5	16	3	10
570200018	5	M5	4	8	23.5	12	2	10
570200019	5	1/8	6	13	22	12	4	10
570200020	6	M5	4	10	24.5	13	2	10
570200003	6	1/8	6	13	23.5	13	4	10
570200004	6	1/4	8	16	23.5	13	4	10
570200027	6	3/8	9	20	25	13	4	10
570200028	6	1/2	10	25	27	13	4	10
570200005	8	1/8	6	13	25	14	5	10
570200006	8	1/4	8	16	23	14	6	10
570200007	8	3/8	9	20	24	14	6	10
570200029	8	1/2	10	25	26.5	14	6	10
570200008	10	1/4	8	16	30.5	17	6	10
570200009	10	3/8	9	20	27.5	17	8	10
570200031	10	1/2	10	25	27	17	8	10
570200032	12	1/4	8	16	34.5	20	6	10
570200011	12	3/8	9	20	34	20	8	10
570200023	12	1/2	10	25	31	22	10	10
570200024	14	3/8	9	20	35	21	10	10
570200025	14	1/2	10	25	32	22	10	10
570200012	6	M12x1	8	15	23.5	13	4	10
570200013	6	M12x1.25	8	15	23.5	13	4	10
570200014	6	M12x1.5	8	15	23.5	13	4	10
570200017	8	M12x1.5	8	15	27.5	14	6	10

57030

RACCORDO DIRITTO FEMMINA - STRAIGHT FEMALE ADAPTOR


Codice Code	Tubo Tube	A	B	L	CH	Conf. Pack.
570300008	4	M5	5.5	21	11	10
570300001	4	1/8	8.5	24	13	10
570300009	4	1/4	11	27.5	16	10
570300006	5	1/8	8.5	26.5	13	10
570300002	6	1/8	8.5	26	13	10
570300003	6	1/4	11	29.5	16	10
570300004	8	1/8	8.5	27	15	10
570300005	8	1/4	11	29.5	17	10
570300010	8	3/8	12	32	19	10
570300011	10	1/4	11	32	18	10
570300012	10	3/8	12	33.5	19	10
570300013	10	1/2	15	39	24	10
570300014	12	3/8	12	36	21	10
570300015	12	1/2	15	41	24	10

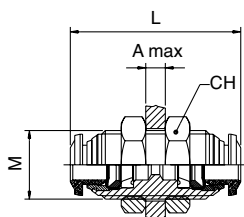
57040

RACCORDO DIRITTO INTERMEDIO - STRAIGHT CONNECTOR


Codice Code	Tubo Tube	Tubo Tube	L	B	Conf. Pack.
*570400001	4 (5/32)		30.5	10.5	10
570400008	5		33	11.5	10
570400002	6	4	32	12.5	10
570400003	6		34	12.5	10
570400004	8	6	35	14.5	10
*570400005	8 (5/16)		36	14.5	10
570400011	10	8	40.5	17.5	10
570400006	10		42	17.5	10
570400012	12	10	45.5	20.5	10
570400007	12		47	20.5	10
570400010	14		49	21.5	10

**Articoli in comune con serie 89000 per tubi pollici*
** Items in common with series 89000 for inch tubes*

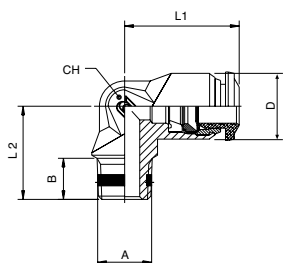
57050

RACCORDO DIRITTO INTERMEDIO DI ATTRAVERSAMENTO - BULKHEAD CONNECTOR


Codice Code	Tubo Tube	M	L	CH	A max	Conf. Pack.
*5705000001	4 (5/32)	M12x1	31.5	17	7	10
5705000006	5	M14x1	33	17	7	10
5705000002	6	M14x1	35	17	9.5	10
*5705000003	8 (5/16)	M16x1	37	19	10.5	10
5705000004	10	M20x1	43	24	12.5	10
5705000005	12	M22x1	48	26	16.5	10

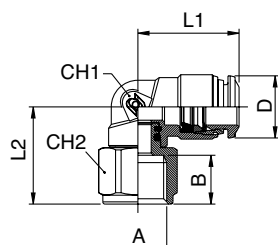
*Articoli in comune con serie 89000 per tubi pollici
 *Items in common with series 89000 for inch tubes

57100

RACCORDO A L MASCHIO CONICO - ELBOW MALE ADAPTOR (TAPER)


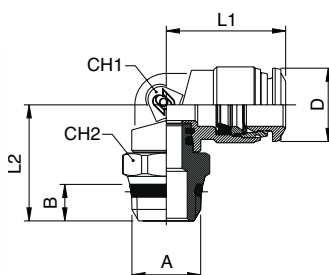
Codice Code	Tubo Tube	A	B	L1	L2	CH	D	Conf. Pack.
5710000001	4	M5	5	17	15	9	10	10
5710000002	4	1/8	7.5	17	15.5	9	10	10
5710000010	5	M5	5	20	17	11	12.5	10
5710000011	5	1/8	7.5	20	17.5	11	12.5	10
5710000003	6	1/8	7.5	21	17.5	11	12.5	10
5710000012	6	1/4	11	21	21.5	11	12.5	10
5710000004	8	1/8	7.5	22.5	19	13	14	10
5710000005	8	1/4	11	22.5	21.5	13	14	10
5710000006	10	1/4	11	26.5	24.5	16	17	10
5710000007	10	3/8	11.5	26.5	24	16	17	10
5710000008	12	1/4	11	30.5	28	19	21.5	10
5710000009	12	3/8	11.5	30.5	28	19	21.5	10

57106

RACCORDO A L FEMMINA ORIENTABILE - ORIENTING ELBOW FEMALE ADAPTOR


Codice Code	Tubo Tube	A	B	L1	L2	CH1	CH2	D	Conf. Pack.
5710600001	4	1/8	8.5	18	20	9	13	10	10
5710600002	4	1/4	11	18	21.5	9	16	10	10
5710600003	6	1/8	8.5	21	20.5	11	13	12.5	10
5710600004	6	1/4	11	21	23	11	16	12.5	10
5710600005	8	1/8	8.5	22.5	20.5	12	13	14.5	10
5710600006	8	1/4	11	22.5	23	12	16	14.5	10

57111

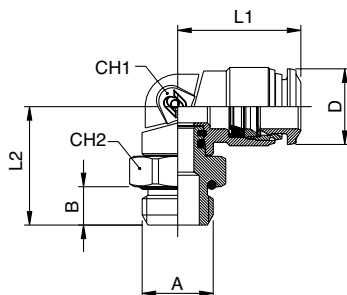
RACCORDO A L ORIENTABILE MASCHIO SHORT - ORIENTING ELBOW MALE ADAPTOR (SHORT)


Codice Code	Tubo Tube	A	B	L1	L2	CH	CH2	D	Conf. Pack.
*8911100003	4 (5/32)	1/8	5.5	18	19.5	9	13	10	10
*8911100004	4 (5/32)	1/4	7	18	21	9	15	10	10
5711100004	6	1/8	5.5	21	21.5	11	13	12.5	10
5711100005	6	1/4	7	21	23	11	15	12.5	10
*8911100008	8 (5/16)	1/8	5.5	22.5	22.5	12	13	14.5	10
*8911100009	8 (5/16)	1/4	7	22.5	22.5	12	15	14.5	10
*8911100010	8 (5/16)	3/8	7.5	22.5	23	12	17	14.5	10
*8911100018	8 (5/16)	1/2	9	22.5	25.5	12	21	14.5	10
5711100010	10	1/4	7	26.5	26.5	14	16	17.5	10
5711100011	10	3/8	7.5	26.5	24.5	14	17	17.5	10
5711100012	10	1/2	9	26.5	27	14	21	17.5	10
5711100013	12	3/8	7.5	31.5	26.5	16	20	21.5	10
5711100014	12	1/2	9	31.5	29	16	21	21.5	10
5711100015	14	3/8	7.5	31.5	27	16	20	21.5	10
5711100016	14	1/2	9	31.5	29.5	16	21	21.5	10

*Articoli in comune con serie 89000 per tubi pollici
 *Items in common with series 89000 for inch tubes

57116

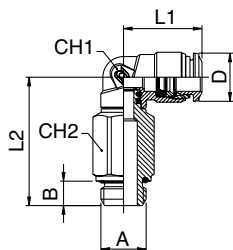
RACCORDO A L ORIENTABILE MASCHIO CILINDRICO - ORIENTING ELBOW MALE ADAPTOR (PARALLEL)



Codice Code	Tubo Tube	A	B	L1	L2	CH1	CH2	D	Conf. Pack.
571160002	4	M5	3.5	18	17.5	9	8	10	10
571160003	4	1/8	5.5	18	18	9	13	10	10
571160004	4	1/4	7	18	18	9	16	10	10
571160005	5	M5	3.5	20	20	11	11	12.5	10
571160006	5	1/8	5.5	20	20	11	13	12.5	10
571160007	6	M5	3.5	21	20	11	11	12.5	10
571160008	6	1/8	5.5	21	20	11	13	12.5	10
571160009	6	1/4	7	21	21.5	11	16	12.5	10
571160010	8	1/8	5.5	22.5	21	12	13	14.5	10
571160011	8	1/4	7	22.5	21.5	12	16	14.5	10
571160012	8	3/8	8	22.5	23.5	12	20	14.5	10
571160013	8	1/2	9.5	22.5	25	12	25	14.5	10
571160014	10	1/4	7	26.5	25.5	14	16	17.5	10
571160015	10	3/8	8	26.5	25	14	20	17.5	10
571160016	10	1/2	9.5	26.5	26.5	14	25	17.5	10
571160025	12	1/4	8	31.5	27.5	16	20	21.5	10
571160017	12	3/8	8	31.5	27	16	20	21.5	10
571160018	12	1/2	9.5	31.5	28.5	16	25	21.5	10
571160019	14	3/8	8	31.5	27.5	16	20	21.5	10
571160020	14	1/2	9.5	31.5	29	16	25	21.5	10
571160021	6	M12x1	7.5	20	22	11	16	12.5	10
571160022	6	M12x1.25	7.5	20	22	11	16	12.5	10
571160023	6	M12x1.5	7.5	20	22	11	16	12.5	10
571160024	8	M12x1.5	7.5	22.5	22	12	16	14.5	10

57126

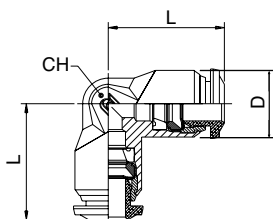
RACCORDO A L ORIENTABILE PROLUNGATO MASCHIO CILINDRICO - EXTENDED ORIENTING ELBOW MALE ADAPTOR (PARALLEL)



Codice Code	Tubo Tube	A	B	L1	L2	CH1	CH2	D	Conf. Pack.
571260001	4	1/8	5.5	18	30	9	12	10	10
571260002	4	1/4	7	18	32	9	15	10	10
571260003	5	1/8	5.5	20	34.5	11	12	12.5	10
571260004	6	1/8	5.5	21	34.5	11	12	12.5	10
571260005	6	1/4	7	21	36	11	15	12.5	10
571260006	8	1/8	5	22.8	37.5	12	12	14.5	10
571260007	8	1/4	7	22.5	38	12	15	14.5	10
571260008	8	3/8	8	22.5	40	12	18	14.5	10
571260009	10	1/4	7	26.5	45	14	16	17.5	10
571260010	10	3/8	8	26.5	44.5	14	18	17.5	10

57130

RACCORDO A L INTERMEDIO - ELBOW CONNECTOR

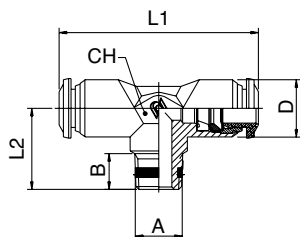


Codice Code	Tubo Tube	L	CH	D	Conf. Pack.
*571300001	4 (5/32)	17	9	10	10
571300006	5	20	11	12.5	10
571300002	6	21	11	12.5	10
*571300003	8 (5/16)	22.5	13	14	10
571300004	10	26.5	16	17	10
571300005	12	30.5	19	21.5	10
571300008	14	32.5	19	21.5	10

*Articoli in comune con serie 89000 per tubi pollici
 * Items in common with series 89000 for inch tubes

57200

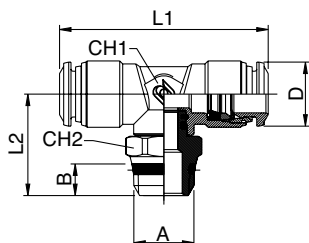
RACCORDO A T MASCHIO CONICO - TEE MALE ADAPTOR (TAPER) CENTRE LEG



Codice Code	Tubo Tube	A	B	L1	L2	CH	D	Conf. Pack.
572000001	4	M5	5	34	15	9	10	10
572000002	4	1/8	7.5	34	15.5	9	10	10
572000010	5	1/8	7.5	40	17.5	11	12.5	10
572000003	6	1/8	7.5	42	17.5	11	12.5	10
572000004	8	1/8	7.5	45	19	13	14	10
572000005	8	1/4	11	45	21.5	13	14	10
572000006	10	1/4	11	53	24.5	16	17	10
572000007	10	3/8	11.5	53	24	16	17	10
572000008	12	1/4	11	61	28	19	21.5	10
572000009	12	3/8	11.5	61	28	19	21.5	10

57211

RACCORDO A T ORIENTABILE MASCHIO SHORT - ORIENTING TEE MALE ADAPTOR (SHORT) - CENTRE LEG

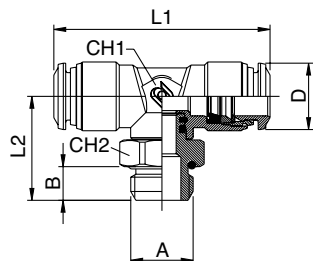


Codice Code	Tubo Tube	A	B	L1	L2	CH1	CH2	D	Conf. Pack.
*8921100003	4 (5/32)	1/8	5.5	34	20	9	13	10	10
*8921100004	4 (5/32)	1/4	7	34	21.5	9	15	10	10
5721100004	6	1/8	5.5	42	22	11	13	12.5	10
5721100005	6	1/4	7	42	23.5	11	15	12.5	10
*8921100016	8 (5/16)	1/8	5.5	45	25.5	13	13	14.5	10
*8921100015	8 (5/16)	1/4	7	45	25.5	13	15	14.5	10
*8921100017	8 (5/16)	3/8	7.5	45	26	13	17	14.5	10
5721100010	10	1/4	7	53	29	14	16	17.5	10
5721100011	10	3/8	7.5	53	27	14	17	17.5	10
5721100012	10	1/2	9	53	29.5	14	21	17.5	10
5721100013	12	3/8	7.5	62.6	29.5	16	20	21.5	10
5721100014	12	1/2	9	62.6	32	16	21	21.5	10

* Articoli in comune con serie 89000 per tubi pollici
 * Items in common with series 89000 for inch tubes

57216

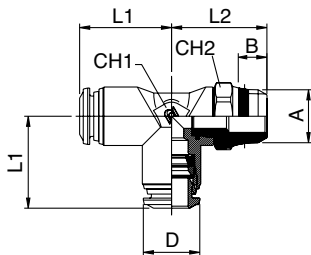
RACCORDO A T ORIENTABILE MASCHIO CILINDRICO - ORIENTING TEE MALE ADAPTOR (PARALLEL) CENTRE LEG



Codice Code	Tubo Tube	A	B	L1	L2	CH1	CH2	D	Conf. Pack.
5721600002	4	M5	3.5	34	18	9	8	10	10
5721600003	4	1/8	5.5	34	18.5	9	13	10	10
5721600004	4	1/4	7	34	20	9	16	10	10
5721600005	5	M5	3.5	40	20.5	11	11	12.5	10
5721600006	5	1/8	5.5	40	20.5	11	13	12.5	10
5721600007	6	M5	3.5	42	20.5	11	11	12.5	10
5721600008	6	1/8	5.5	42	20.5	11	13	12.5	10
5721600009	6	1/4	7	42	22	11	16	12.5	10
5721600010	8	1/8	5.5	45	23.5	13	13	14.5	10
5721600011	8	1/4	7	45	24	13	16	14.5	10
5721600012	8	3/8	8	45	26	13	20	14.5	10
5721600013	8	1/2	9.5	45	27.5	13	25	14.5	10
5721600014	10	1/4	7	53	27.5	14	16	17.5	10
5721600015	10	3/8	8	53	27	14	20	17.5	10
5721600016	10	1/2	9.5	53	28.5	14	25	17.5	10
5721600017	12	3/8	8	62.5	29.5	16	20	21.5	10
5721600018	12	1/2	9.5	62.5	31	16	25	21.5	10
5721600019	14	3/8	8	62.5	29.5	16	20	21.5	10
5721600020	14	1/2	9.5	62.5	31	16	25	21.5	10
5721600021	6	M12x1	7.5	42	22	11	16	12.5	10
5721600022	6	M12x1.25	7.5	42	22	11	16	12.5	10
5721600023	6	M12x1.5	7.5	42	22	11	16	12.5	10

57223

RACCORDO A T ORIENTABILE MASCHIO LATERALE SHORT - ORIENTING TEE MALE ADAPTOR (SHORT) OFF - SET LEG

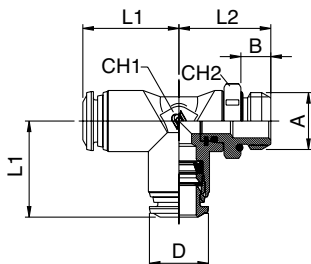


Codice Code	Tubo Tube	A	B	L1	L2	CH1	CH2	D	Conf. Pack.
*8922300003	4 (5/32)	1/8	5.5	17	20	9	13	10	10
*8922300004	4 (5/32)	1/4	7	17	21.5	9	15	10	10
5722300004	6	1/8	5.5	21	22	11	13	12.5	10
5722300005	6	1/4	7	21	23.5	11	15	12.5	10
*8922300015	8 (5/16)	1/8	5.5	22.5	24	13	13	14.5	10
*8922300016	8 (5/16)	1/4	7	22.5	24	13	15	14.5	10
*8922300017	8 (5/16)	3/8	7.5	22.5	27	13	17	14.5	10
5722300010	10	1/4	7	26.5	26	14	16	17.5	10
5722300011	10	3/8	7.5	26.5	26	14	17	17.5	10
5722300012	10	1/2	9	26.5	28.5	14	21	17.5	10
5722300013	12	3/8	7.5	31.5	29.5	16	20	21.5	10
5722300014	12	1/2	9	31.5	32	16	21	21.5	10

* Articoli in comune con serie 89000 per tubi pollici
 * Items in common with series 89000 for inch tubes

57226

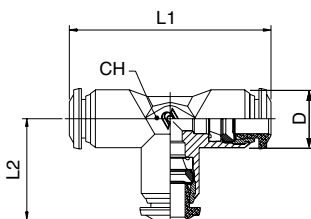
RACCORDO A T ORIENTABILE MASCHIO LATERALE CILINDRICO - ORIENTING TEE MALE ADAPTOR (PARALLEL) OFF - SET LEG



Codice Code	Tubo Tube	A	B	L1	L2	CH1	CH2	D	Conf. Pack.
5722600002	4	M5	3.5	17	18	9	8	10	10
5722600003	4	1/8	5.5	17	18.5	9	13	10	10
5722600004	4	1/4	7	17	20	9	16	10	10
5722600005	5	M5	3.5	20	20.5	11	11	12.5	10
5722600006	5	1/8	5.5	20	20.5	11	13	12.5	10
5722600007	6	M5	3.5	21	20.5	11	11	12.5	10
5722600008	6	1/8	5.5	21	20.5	11	13	12.5	10
5722600009	6	1/4	7	21	22	11	16	12.5	10
5722600010	8	1/8	5.5	22.5	22.5	13	13	14.5	10
5722600011	8	1/4	7	22.5	23	13	16	14.5	10
5722600012	8	3/8	8	22.5	25	13	20	14.5	10
5722600013	8	1/2	9.5	22.5	26.5	13	25	14.5	10
5722600014	10	1/4	7	26.5	27	14	16	17.5	10
5722600015	10	3/8	8	26.5	26.5	14	20	17.5	10
5722600016	10	1/2	9.5	26.5	28	14	25	17.5	10
5722600017	12	3/8	8	31.5	29.5	16	20	21.5	10
5722600018	12	1/2	9.5	31.5	31	16	25	21.5	10
5722600021	6	M12x1	7.5	21	22	11	16	12.5	10
5722600022	6	M12x1.25	7.5	21	22	11	16	12.5	10
5722600023	6	M12x1.5	7.5	21	22	11	16	12.5	10

57230

RACCORDO A T INTERMEDIO - TEE CONNECTOR

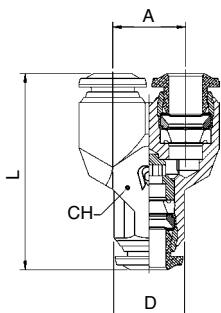


Codice Code	Tubo Tube	L1	L2	CH	D	Conf. Pack.
*5723000001	4 (5/32)	34	17	9	10	10
5723000006	5	40	20	11	12.5	10
5723000002	6	42	21	11	12.5	10
*5723000003	8 (5/16)	45	22.5	13	14	10
5723000004	10	53	26.5	16	17	10
5723000005	12	61	30.5	19	21.5	10
5723000008	14	65.5	32.5	19	21.5	10

* Articoli in comune con serie 89000 per tubi pollici
 * Items in common with series 89000 for inch tubes

57310

RACCORDO A Y INTERMEDIO - Y CONNECTOR

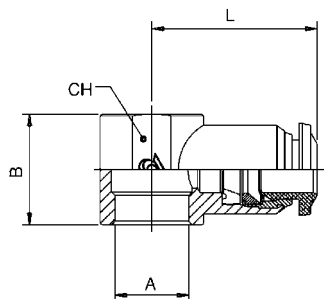


Codice Code	Tubo Tube	A	L	CH	D	Conf. Pack.
*5731000001	4 (5/32)	11	32	11	10	10
5731000004	5	13.5	35	13	12.5	10
5731000002	6	13.5	36.5	13	12.5	10
*5731000003	8 (5/16)	15.5	41	15	14	10
5731000008	10	18.5	48	18	17	10

* Articoli in comune con serie 89000 per tubi pollici
 * Items in common with series 89000 for inch tubes

57500

ANELLO ORIENTABILE A L - SINGLE BANJO BODY

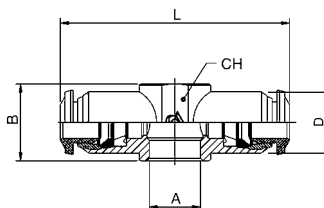


Codice Code	Tubo Tube	A	B	L	CH	D	Conf. Pack.
575000001	4 (5/32) M5 (10/32)	12.5	19	-	10	10	10
575000002	4 M6	12.5	19	-	10	10	10
575000003	4 (5/32) 1/8	15	21	14	10	10	10
575000013	5 M5	12.5	20	-	12.5	10	10
575000017	5 M6	12.5	20	-	12.5	10	10
575000014	5 1/8	15	21.5	14	12.5	10	10
575000015	5 1/4	17	24.5	18	12.5	10	10
575000016	6 M5	12.5	20.5	-	12.5	10	10
575000018	6 M6	12.5	20.5	-	12.5	10	10
575000004	6 1/8	15	22	14	12.5	10	10
575000005	6 1/4	17	25	18	12.5	10	10
575000006	8 1/8	15	24	14	14	10	10
575000007	8 1/4	17	26	18	14	10	10
575000008	8 3/8	20	28	21	14	10	10
575000009	10 1/4	17	29	18	17	10	10
575000010	10 3/8	20	30.5	21	17	10	10
575000012	12 3/8	20	32.5	21	21.5	10	10
575000021	12 1/2	24	35	25	21.5	10	10
575000022	14 1/2	24	35.5	25	21.5	10	10

* Articoli in comune con serie 89000 per tubi pollici
 * Items in common with series 89000 for inch tubes

57510

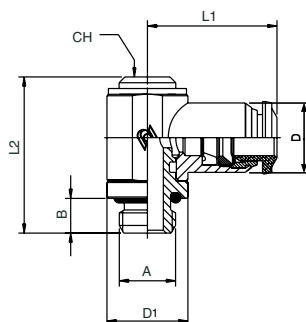
ANELLO ORIENTABILE A T - DOUBLE BANJO BODY



Codice Code	Tubo Tube	A	B	L	CH	D	Conf. Pack.
575100001	4 M5	12.5	38	-	10	10	10
575100002	4 M6	12.5	38	-	10	10	10
575100003	4 1/8	15	42	14	10	10	10
575100008	5 1/8	15	43	14	12.5	10	10
575100009	5 1/4	17	49	18	12.5	10	10
575100004	6 1/8	15	44	14	12.5	10	10
575100005	6 1/4	17	50	18	12.5	10	10
575100006	8 1/8	15	48	14	14	10	10
575100007	8 1/4	17	52	18	14	10	10

57550

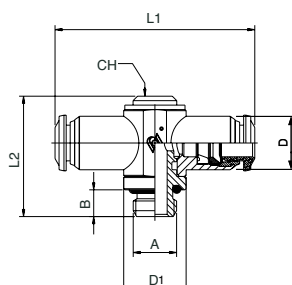
RACCORDO A L ORIENTABILE MASCHIO CILINDRICO - ORIENTING SINGLE BANJO BODY MALE



Codice Code	Tubo Tube	A	B	L1	L2	CH	D1	D	Conf. Pack.
575500001	4 M5	5	19	24.5	-	9	10	10	10
575500002	4 1/8	6	21	28	5	14	10	10	10
575500012	5 M5	5	20	24.5	-	9	12.5	10	10
575500013	5 1/8	6	21.5	28	5	14	12.5	10	10
575500014	5 1/4	8	24.5	31	6	18	12.5	10	10
575500015	6 M5	5	20.5	24.5	-	9	12.5	10	10
575500003	6 1/8	6	22.5	28	5	14	12.5	10	10
575500004	6 1/4	8	25	31	6	18	12.5	10	10
575500005	8 1/8	6	24	28	5	14	14	10	10
575500006	8 1/4	8	26	31	6	18	14	10	10
575500007	8 3/8	9	28	35.5	7	21	14	10	10
575500008	10 1/4	8	29	31	6	18	17	10	10
575500009	10 3/8	9	30.5	35.5	7	21	17	10	10
575500011	12 3/8	9	32.5	35.5	7	21	21.5	10	10

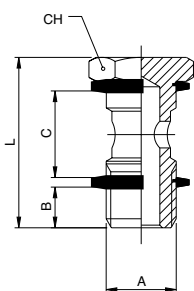
57560

RACCORDO A T ORIENTABILE MASCHIO CILINDRICO - ORIENTING DOUBLE BANJO BODY MALE



Codice Code	Tubo Tube	A	B	L1	L2	D1	CH	D	Conf. Pack.
575600002	4 1/8	6	42	27	14	5	10	10	10
575600008	5 1/8	6	43	27	14	5	12.5	10	10
575600009	5 1/4	8	49	31	18	6	12.5	10	10
575600003	6 1/8	6	45	27	14	5	12.5	10	10
575600004	6 1/4	8	50	31	18	6	12.5	10	10
575600005	8 1/8	6	48	27	14	5	14	10	10
575600006	8 1/4	8	52	31	18	6	14	10	10

51410

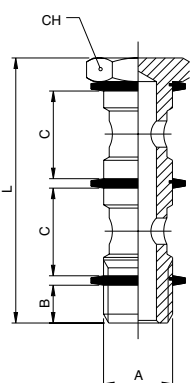
VITE CAVA SINGOLA - BANJO STEM SINGLE


Codice Code	A	B	C	L	CH	Conf. Pack.
5141000011	M5	4	12.5	22	8	25
5141000012	M6	5	12.5	23	8	25
5141000013	1/8	6	15	28	14	25
5141000014	1/4	8	17	32	17	25
5141000015	3/8	9	20	36	19	25
5141000016	1/2	10	24	42	24	25
5141000017	*M12x1.5	8	17	32	17	25

QUESTO ARTICOLO VIENE FORNITO COMPLETO DI RONDELLE IN PA66 (ART. 1610).
THIS ITEM WILL BE SUPPLIED WITH THE PA66 WASHERS (ART. 1610).

*CON QUESTA VITE UTILIZZARE GLI ANELLI ORIENTABILI DA 1/4.
*WITH THIS BANJO STEM USING 1/4 ORIENTING BANJO BODY.

51420

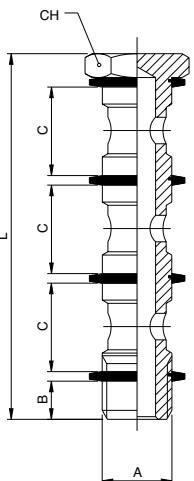
VITE CAVA DOPPIA - BANJO STEM DOUBLE


Codice Code	A	B	C	L	CH	Conf. Pack.
5142000011	1/8	6	15	44.5	14	25
5142000012	1/4	8	17	50.5	17	25
5142000013	3/8	9	20	58	19	25
5142000014	1/2	10	24	68	24	25
5142000015	*M12x1.5	8	17	50.5	17	25

QUESTO ARTICOLO VIENE FORNITO COMPLETO DI RONDELLE IN PA66 (ART. 1610).
THIS ITEM WILL BE SUPPLIED WITH THE PA66 WASHERS (ART. 1610).

*CON QUESTA VITE UTILIZZARE GLI ANELLI ORIENTABILI DA 1/4.
*WITH THIS BANJO STEM USING 1/4 ORIENTING BANJO BODY.

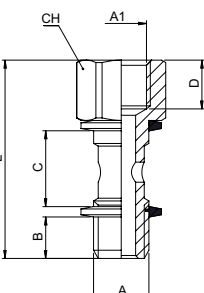
51430

VITE CAVA TRIPLA - BANJO STEM TRIPLE


Codice Code	A	B	C	L	CH	Conf. Pack.
5143000011	1/8	6	15	61	14	25
5143000012	1/4	8	17	69	17	25
5143000013	3/8	9	20	80	19	25
5143000014	1/2	10	24	94	24	10

QUESTO ARTICOLO VIENE FORNITO COMPLETO DI RONDELLE IN PA66 (ART. 1610).
THIS ITEM WILL BE SUPPLIED WITH THE PA66 WASHERS (ART. 1610).

51440

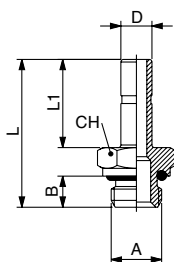
VITE CAVA SINGOLA MASCHIO - FEMMINA - MALE - FEMALE BANJO STEM SINGLE


Codice Code	A	A1	B	C	D	L	CH	Conf. Pack.
5144000001	1/8	1/8	6	15	8.5	34.5	14	25
5144000002	1/4	1/4	8	17	11	40.5	17	25
5144000003	3/8	3/8	9	20	12	45.5	19	25

QUESTO ARTICOLO VIENE FORNITO COMPLETO DI RONDELLE IN PA66 (ART. 1610).
THIS ITEM WILL BE SUPPLIED WITH THE PA66 WASHERS (ART. 1610).

50600

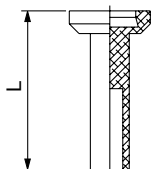
ADATTATORE MASCHIO CILINDRICO - MALE ADAPTOR PARALLEL



Codice Code	D	A	B	L	L1	CH	Conf. Pack.
506000001	4	M5	4	24	15	8	10
506000002	4	1/8	6	26.5	15	13	10
506000012	5	M5	4	26	17	8	10
506000013	5	1/8	6	28.5	17	13	10
506000014	5	1/4	8	31	17	16	10
506000015	6	M5	4	26	17	8	10
506000003	6	1/8	6	28.5	17	13	10
506000004	6	1/4	8	31	17	16	10
506000005	8	1/8	6	29.5	18	13	10
506000006	8	1/4	8	32	18	16	10
506000007	8	3/8	9	33.5	18	20	10
506000016	10	1/8	6	33.5	22	13	10
506000008	10	1/4	8	36	22	16	10
506000009	10	3/8	9	37.5	22	20	10
506000010	12	1/4	8	38.5	24.5	16	10
506000011	12	3/8	9	40	24.5	20	10

8610

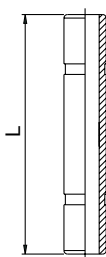
TAPPO IN POLIAMIDE - POLYAMIDE PLUG



Codice Code	Tubo Tube	L	Conf. Pack.
086100031X0RO	3	18	25
086100031X1RO	4	23.5	25
086100031X3RO	5	24.5	25
086100031X4RO	6	24.5	25
086100031X7RO	8	26	25
086100031X9RO	10	28.5	25
086100031Y1RO	12	28.5	25
086100031Y3RO	14	28.5	20

50625

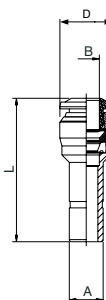
GIUNZIONE DOPPIA - DOUBLE JOINT



Codice Code	Tubo Tube	L	Conf. Pack.
506250001X1NB	4	31	10
506250001X3NB	5	33	10
506250001X4NB	6	34	10
506250001X7NB	8	36	10
506250001X9NB	10	45	10
506250001Y1NB	12	50	10

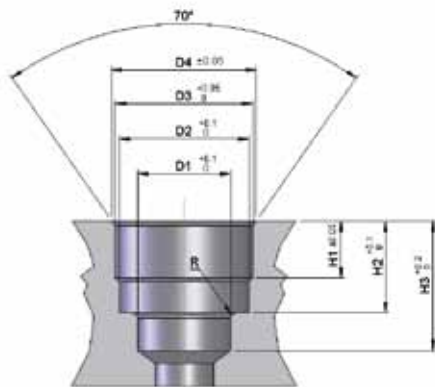
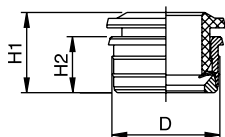
57700

RIDUZIONE - REDUCER



Codice Code	A	B	L	D	Conf. Pack.
577000004	5	4	29	12.5	10
577000001	6	4	30	12.5	10
577000005	6	5	32	12.5	10
577000008	8	4	33	14	10
577000002	8	6	34	14	10
577000009	10	4	32	17	10
577000003	10	8	38	17	10
577000007	12	8	39	21.5	10
577000010	12	10	43	17.5	10

57800

CARTUCCE A COMPRESSIONE - PUSH-FIT CARTRIDGES


Codice Code	Tubo Tube	D	H1	H2	Conf. Pack.
578000001	4	8.7	10.4	5.6	25
578000002	5	9.75	11.8	6.3	25
578000003	6	10.75	12.4	6.9	25
578000004	8	12.7	12.4	6.9	25
578000005	10	15.7	15.7	8.5	25
578000006	12	18.3	17.8	9.5	25

57800

SEDE - SEAT
**DIMENSIONI SEDI CARTUCCE A COMPRESSIONE
SEATS DIMENSIONS PUSH-FIT CARTRIDGES**

Tubo Tube	D1	D2	D3	D4	H1	H2	H3	R
4	4.2	7.45	8.4	9	3.75	6.5	9.5	0.5
5	5.2	8.35	9.4	10.15	4.45	7.9	10.5	0.5
6	6.2	9.35	10.45	11.35	5	8.5	11.5	0.5
8	8.2	11.4	12.4	12.9	5.2	8.5	12.5	0.75
10	10.2	14.5	15.4	16	6.7	10.5	15	0.75
12	12.2	17	18	19	7.5	12.1	17	1

55801

**FRESA SEDE CARTUCCE A COMPRESSIONE
TOOL FOR PUSH-FIT CARTRIDGES SEAT**


Codice Code	Tubo Tube	Ø Gambo Ø Body	Conf. Pack.
5580100001	4	10	1
5580100006	5	12	1
5580100002	6	12	1
5580100003	8	12	1
5580100004	10	16	1
5580100005	12	16	1

55802

**CANOTTO MONTAGGIO CARTUCCE A COMPRESSIONE
ASSEMBLING TOOL FOR PUSH-FIT CARTRIDGES**

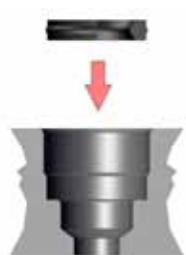

Codice Code	Tubo Tube	Conf. Pack.
5580200002	4	1
5580200003	5	1
5580200004	6	1
5580200005	8	1
5580200006	10	1
5580200007	12	1

ISTRUZIONI DI MONTAGGIO CARTUCCE A COMPRESSIONE ART. 57800 PUSH-FIT CARTRIDGES ASSEMBLING INSTRUCTIONS ART. 57800

Realizzare la sede per la cartuccia utilizzando l'apposita fresa Art. 55801
Make the seat for the cartridge utilizing the suitable tool Art. 55801



2



Inserire la guarnizione a labbro nell'apposita sede.
Insert the lip seal inside of the seat.

Inserire la cartuccia nel canotto di montaggio Art. 55802
Insert the cartridge into the assembling tool Art. 55802



3

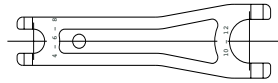
4



Premere la cartuccia all'interno della sede fino ad arrivare in battuta sul piano con il canotto.
Press the cartridge inside of the seat until it will be reached the abutment surface with the assembling tool.

50990

LEVA SGANCIO ADATTATORI - TOOL FOR DISASSEMBLING



Codice Code	Conf. Pack.
5099000001	10

50006

ANELLO DI TENUTA PER FILETTI CONICI - THREAD PACKING FOR TAPER THREADS



Codice Code	Filetto Thread	Conf. Pack.
5000600240200	1/8	10
5000600240300	1/4	10
5000600240400	3/8	10
5000600240500	1/2	10

