

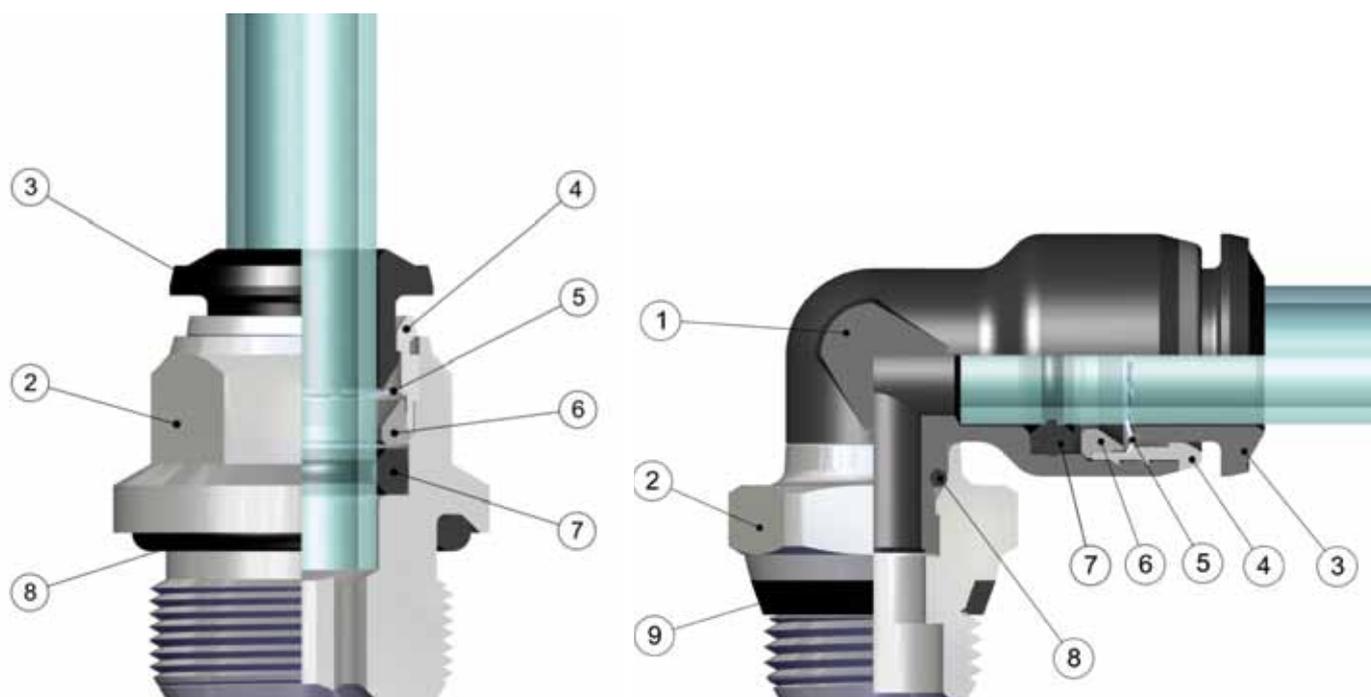
55000
56000



Serie 55000

RACCORDI AUTOMATICI IN TECNOPOLIMERO
TECHNOPOLYMERIC PUSH-IN FITTINGS

Caratteristiche Tecniche / Technical Characteristics



Materiali e Componenti / Component Parts and Materials

- 1 Corpo in tecnopolimero
- 2 Corpo in ottone nichelato
- 3 Spintore sgancio tubo resina acetica
- 4 Capsula ottone nichelato
- 5 Pinza d'aggraffaggio in acciaio inox aisi 301
- 6 Anello di sicurezza in tecnopolimero
- 7 Guarnizione a labbro in NBR
- 8 O-ring in NBR
- 9 Guarnizione filetto in NBR

- 1 Technopolymeric Body
- 2 Nickel-plated brass Body
- 3 Acetalic resin Collet
- 4 Nickel-plated brass Capsule
- 5 Steel aisi 301 Clamping washer
- 6 Technopolymeric Safety ring
- 7 NBR Lip seal
- 8 NBR O-ring
- 9 NBR Thread packing

Pressioni / Pressures

Pressione minima / Minimum pressure: **-0.99 bar** (-0.099 MPa)
 Pressione massima / Maximum pressure: **15 bar** (1.5 MPa)

Temperature / Temperatures

Temperatura minima / Minimum temperature: **-20 °C**
 Temperatura massima / Maximum temperature: **+80 °C**

Filettature / Threads

Filettatura conica "short" / "Short" taper thread.
 Gas cilindrica conforme ISO 228 Classe A / Parallel gas in conformity with ISO 228 Class A.
 Metrica conforme ISO R/262 / Metric in conformity with ISO R/262.

Tubi di collegamento / Connection Tubes

Tubi in materiale plastico:
 PA6, PA11, PA12, Polietilene, *Poliuretano; ecc.
 *Per tubi in Poliuretano é consigliata una durezza di 98 shore.
 Plastic tubes:
 PA6, PA11, PA12, Polyethylene, *Polyurethane, ecc.
 *For Polyurethane hoses it is required a minimum hardness of 98 shore.

Fluidi compatibili / Fluids

Aria compressa / Compressed air.
 Vuoto / Vacuum

Filettature / Threads

La filettatura conica "short" è progettata per soddisfare le seguenti caratteristiche:

- ridurre la lunghezza d'ingombro
- ridurre la chiave rispetto ad alcuni raccordi con filettature cilindriche
- consentire l'accoppiamento con diversi standard di filettature femmina sia coniche che cilindriche

The "short" taper thread has been designed to offer the following advantages to the users:

- reduced overall length;
- smaller hex dimensions compared to the parallel threads;
- to allow the assembly with different female threads both taper as well as parallel;



NPT
NPTF

Conica
Tapered

ISO 7
BSPP

Cilindrica
Parallel

ISO 7
BSPT
PT

Conica
Tapered

ISO 228
BSP
PF

Cilindrica
Parallel

consentire una completa tenuta anche su superfici non perfettamente piane, concave, convesse o inclinate, con diversi smussi o raggi.

To ensure the right tightening also with surfaces not perfectly flat, without spot-facing, concave convex and with different kinds of chamfers or radius.



Inclinate
Inclined



Concave
Concave



Convesse
Convex

Coppia di serraggio / Torque specifications



COPPIE DI SERRAGGIO PER FILETTATURE MASCHIO ISO-228 CON OR
TORQUE TO MALE THREADS ISO-228 WITH OR

MISURA MEASURE	COPPIA CONSIGLIATA Nm RECOMMENDED TORQUE Nm	COPPIA DI ROTTURA Nm BREAKING TORQUE Nm
M5	0,08	0,32
1/8	3	8
1/4	9	30
3/8	10	60
1/2	12	50

I VALORI DI ROTTURA POSSONO VARIARE IN BASE ALL'ARTICOLO
BREAKING VALUES MAY VARY ACCORDING TO THE ITEM



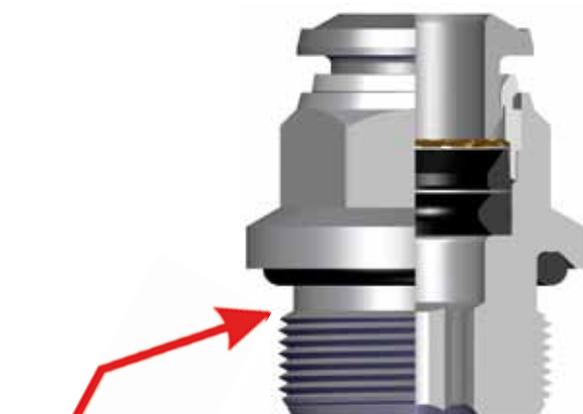
COPPIE DI SERRAGGIO PER FILETTATURE MASCHIO "SHORT"
TORQUE TO MALE THREADS "SHORT"

MISURA MEASURE	COPPIA MINIMA CONSIGLIATA Nm RECOMMENDED MINIMUM TORQUE Nm	COPPIA MASSIMA CONSIGLIATA Nm RECOMMENDED MAX TORQUE Nm
1/8	5	7
1/4	5	7
3/8	5	7
1/2	5	7

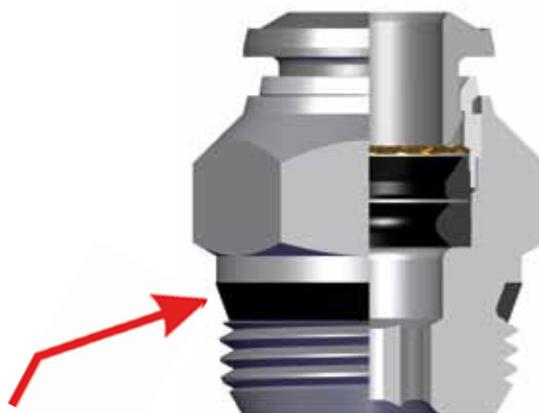
I VALORI DI ROTTURA POSSONO VARIARE IN BASE ALL'ARTICOLO
BREAKING VALUES MAY VARY ACCORDING TO THE ITEM

Tutte le filettature di questa serie (anche la misura da M5) sono state dotate di elementi di tenuta che permettono l'immediato utilizzo dei raccordi riducendo notevolmente i tempi di installazione.

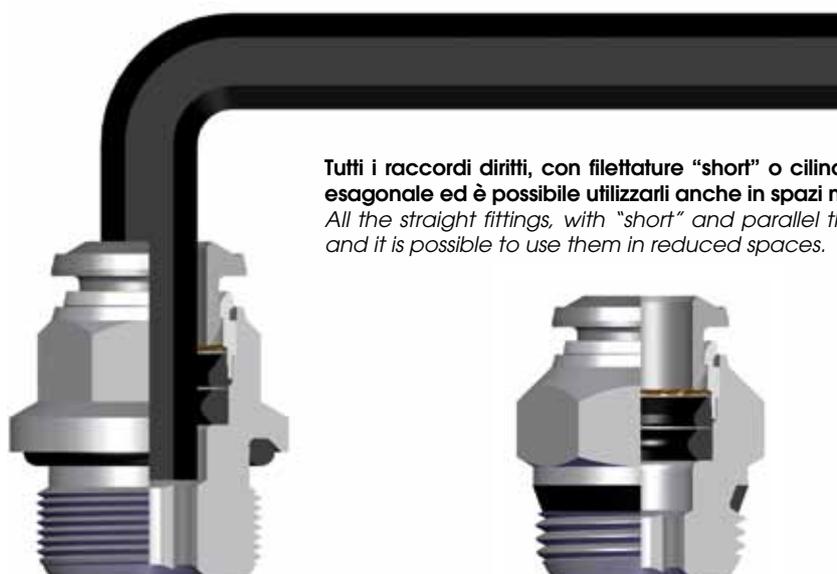
All of threads from this range (also the M5), have been equipped with tightening parts which allow the direct assembly of the fittings, reducing the installation time.



O-Ring di tenuta per filetti cilindrici
O-Ring of the parallel threads.



Anello di tenuta per filetti "short".
Thread packing for the "short" taper threads.



Tutti i raccordi dritti, con filettature "short" o cilindriche, possono essere montati anche con chiave esagonale ed è possibile utilizzarli anche in spazi molto ridotti.

All the straight fittings, with "short" and parallel threads can be assembled also with Allen wrench and it is possible to use them in reduced spaces.

Aggraffaggio Pinza / Clamping washer

La pinza in acciaio inox garantisce il perfetto aggraffaggio di tubi di qualsiasi materiale senza danneggiarne la superficie.

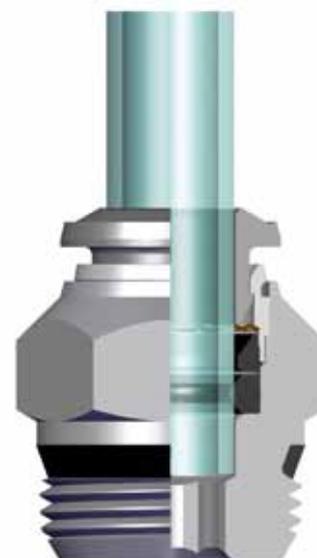
The washer is made in stainless steel ensures the perfect tube clamping with every kinds of materials without damage the surface.

Il collegamento tra tubo e raccordo assicura una tenuta totale anche in condizioni di urti e vibrazioni.

The connection between the tube and the fitting ensure a total tightness even in severe conditions such as impact and vibrations.

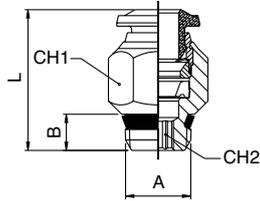
La particolare geometria della guarnizione permette inoltre l'utilizzo dei raccordi anche con il vuoto.

The particular geometric shape of the seal ensure the perfect tightness even with vacuum.



55000

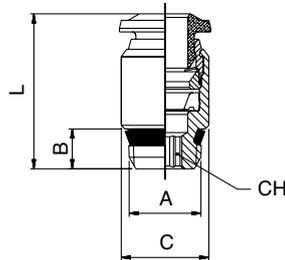
RACCORDO DIRITTO MASCHIO SHORT - STRAIGHT MALE ADAPTOR (SHORT)



Codice Code	Tubo Tube	A	B	L	CH1	CH2	Conf. Pack.
550000001	4	1/8	5.5	18	11	3	10
550000013	4	1/4	7	19	14	3	10
550000002	5	1/8	5.5	20	11	4	10
550000003	5	1/4	7	20	14	4	10
550000004	6	1/8	5.5	21.5	13	4	10
550000005	6	1/4	7	21	14	4	10
550000014	6	3/8	7.5	23	17	4	10
550000015	6	1/2	9	23.5	21	4	10
550000006	8	1/8	5.5	24.5	14	5	10
550000007	8	1/4	7	22	14	6	10
550000008	8	3/8	7.5	23	17	6	10
550000016	8	1/2	9	23.5	21	6	10
550000009	10	1/4	7	28	17	7	10
550000010	10	3/8	7.5	25.5	17	8	10
550000017	10	1/2	9	26	21	8	10
550000011	12	1/4	7	31.5	20	7	10
550000012	12	3/8	7.5	29.5	20	9	10
550000018	12	1/2	9	31.5	21	10	10
550000019	14	3/8	7.5	32.5	21	9	10
550000020	14	1/2	9	31.5	21	10	10

55010

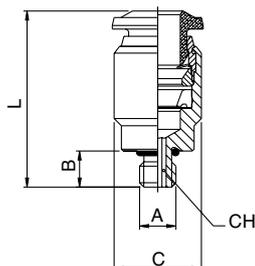
RACCORDO DIRITTO MASCHIO SHORT ESAGONO INCASSATO - STRAIGHT MALE ADAPTOR (SHORT) WITH EXAGON EMBEDDED



Codice Code	Tubo Tube	A	B	C	L	CH	Conf. Pack.
550100001	4	1/8	5.5	11	18	3	10
550100002	6	1/8	5.5	12	21.5	4	10
550100003	6	1/4	7	14	21	4	10
550100004	8	1/8	5.5	14	25	5	10
550100005	8	1/4	7	14	22.5	6	10

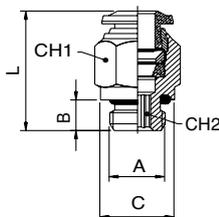
50010N

RACCORDO DIRITTO MASCHIO CILINDRICO ESAGONO INCASSATO - STRAIGHT MALE ADAPTOR (PARALLEL) WITH EXAGON EMBEDDED



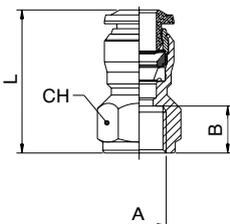
Codice Code	Tubo Tube	A	B	C	L	CH	Conf. Pack.
5001000N08	3	M5	4	8	19	2.5	10
5001000N01	4	M5	4	10	21	2.5	10
5001000N09	4	M7x1	5	10	21	2.5	10
5001000N07	6	M5	4	12	24.5	2.5	10

50020N

RACCORDO DIRITTO MASCHIO CILINDRICO - STRAIGHT MALE ADAPTOR (PARALLEL)


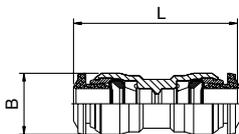
Codice Code	Tubo Tube	A	B	C	L	CH1	CH2	Conf. Pack.
5002000N01	4	M5	4	8	21	10	2	10
5002000N02	4	1/8	6	13	20	10	3	10
5002000N22	4	1/4	8	16	19.5	16	3	10
5002000N18	5	M5	4	8	23.5	12	2	10
5002000N19	5	1/8	6	13	22	12	4	10
5002000N20	6	M5	4	10	24.5	13	2	10
5002000N03	6	1/8	6	13	23.5	13	4	10
5002000N04	6	1/4	8	16	23.5	13	4	10
5002000N27	6	3/8	9	20	25	13	4	10
5002000N28	6	1/2	10	25	27	13	4	10
5002000N05	8	1/8	6	13	25	14	5	10
5002000N06	8	1/4	8	16	23	14	6	10
5002000N07	8	3/8	9	20	24	14	6	10
5002000N29	8	1/2	10	25	26.5	14	6	10
5002000N08	10	1/4	8	16	30.5	17	6	10
5002000N09	10	3/8	9	20	27.5	17	8	10
5002000N31	10	1/2	10	25	27	17	8	10
5002000N32	12	1/4	8	16	34.5	20	6	10
5002000N11	12	3/8	9	20	34	20	8	10
5002000N23	12	1/2	10	25	31	22	10	10
5002000N24	14	3/8	9	20	35	21	10	10
5002000N25	14	1/2	10	25	32	22	10	10
5002000N12	6	M12x1	8	15	23.5	13	4	10
5002000N13	6	M12x1.25	8	15	23.5	13	4	10
5002000N14	6	M12x1.5	8	15	23.5	13	4	10
5002000N17	8	M12x1.5	8	15	27.5	14	6	10

50030N

RACCORDO DIRITTO FEMMINA - STRAIGHT FEMALE ADAPTOR


Codice Code	Tubo Tube	A	B	L	CH	Conf. Pack.
5003000N08	4	M5	5.5	21	11	10
5003000N01	4	1/8	8.5	24	13	10
5003000N09	4	1/4	11	27.5	16	10
5003000N06	5	1/8	8.5	26.5	13	10
5003000N02	6	1/8	8.5	26	13	10
5003000N03	6	1/4	11	29.5	16	10
5003000N04	8	1/8	8.5	27	15	10
5003000N05	8	1/4	11	29.5	17	10
5003000N10	8	3/8	12	32	19	10
5003000N11	10	1/4	11	32	18	10
5003000N12	10	3/8	12	33.5	19	10
5003000N13	10	1/2	15	39	24	10
5003000N14	12	3/8	12	36	21	10
5003000N15	12	1/2	15	41	24	10

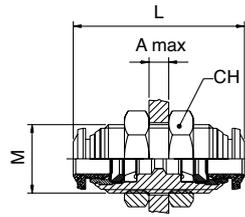
55040

RACCORDO DIRITTO INTERMEDIO - STRAIGHT CONNECTOR


Codice Code	Tubo Tube	Tubo Tube	L	B	Conf. Pack.
5504000002	4		31	10	10
5504000003	5		34	12	10
5504000004	6		35	12.5	10
5504000009	6	4	34	12.5	10
5504000005	8		37	14	10
5504000010	8	6	37.5	14	10
5504000006	10		45	17	10
5504000014	10	6	44	17	10
5504000011	10	8	44	17	10
5504000007	12		49	20	10
5504000012	12	10	49	20	10
5504000008	14		48	21	10

50050N

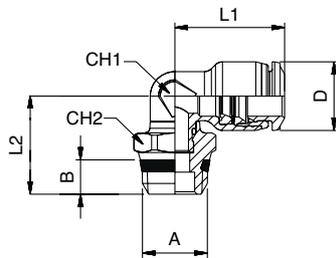
RACCORDO DIRITTO INTERMEDIO DI ATTRAVERSAMENTO - BULKHEAD CONNECTOR



Codice Code	Tubo Tube	M	L	CH	A max	Conf. Pack.
5005000N01	4	M12x1	31.5	17	7	10
5005000N06	5	M14x1	33	17	7	10
5005000N02	6	M14x1	35	17	9.5	10
5005000N03	8	M16x1	37	19	10.5	10
5005000N04	10	M20x1	43	24	12.5	10
5005000N05	12	M22x1	48	26	16.5	10

55111

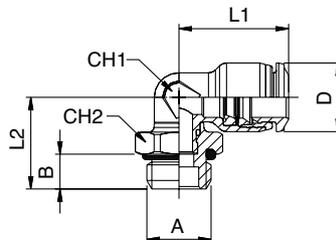
RACCORDO A L ORIENTABILE MASCHIO SHORT - ORIENTING ELBOW MALE ADAPTOR (SHORT)



Codice Code	Tubo Tube	A	B	L1	L2	CH1	CH2	D	Conf. Pack.
5511100001	4	1/8	5.5	16.5	16.5	7	13	10	10
5511100002	4	1/4	7	16.5	18	7	15	10	10
5511100003	5	1/8	5.5	20	17.4	9	13	12	10
5511100004	6	1/8	5.5	20.5	17.4	9	13	12	10
5511100005	6	1/4	7	20.5	18.9	9	15	12	10
5511100006	6	3/8	7.5	20.5	20	9	17	12	10
5511100007	6	1/2	9	20.5	22	9	21	12	10
5511100008	8	1/8	5.5	22	18.5	10	13	14	10
5511100009	8	1/4	7	22	20	10	15	14	10
5511100010	8	3/8	7.5	22	20.5	10	17	14	10
5511100011	8	1/2	9	22	23	10	21	14	10
5511100012	10	1/4	7	26.5	21.8	13	16	17	10
5511100013	10	3/8	7.5	26.5	21.8	13	17	17	10
5511100014	10	1/2	9	26.5	24.3	13	21	17	10
5511100015	12	1/4	7	30	23.1	16	16	20	10
5511100016	12	3/8	7.5	30	23.1	16	17	20	10
5511100017	12	1/2	9	30	25.6	16	21	20	10
5511100018	14	3/8	7.5	31	26.5	18	20	21	10
5511100019	14	1/2	9	31	27	18	21	21	10

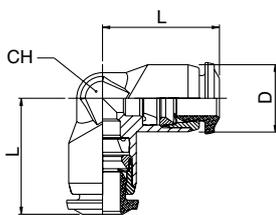
55116

RACCORDO A L ORIENTABILE MASCHIO CILINDRICO - ORIENTING ELBOW MALE ADAPTOR (PARALLEL)



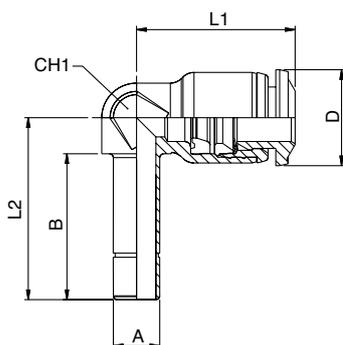
Codice Code	Tubo Tube	A	B	L1	L2	CH1	CH2	D	Conf. Pack.
5511600001	4	M3x0.5	3	16.5	12	7	9	10	10
5511600002	4	M5	3.6	16.5	13.8	7	9	10	10
5511600003	4	M7x1	4.8	16.5	14.4	7	9	10	10
5511600004	4	1/8	5.4	16.5	15	7	13	10	10
5511600005	4	1/4	7.1	16.5	16.6	9	16	10	10
5511600007	5	M5	3.6	20	14.7	9	9	12	10
5511600009	5	1/8	5.4	20	15.8	9	13	12	10
5511600011	6	M5	3.6	20.5	14.7	9	9	12	10
5511600013	6	1/8	5.4	20.5	15.8	9	13	12	10
5511600014	6	1/4	7.1	20.5	17.5	9	16	12	10
5511600015	6	3/8	8.1	20.5	19	9	20	12	10
5511600016	6	1/2	9.6	20.5	21	9	25	12	10
5511600017	8	1/8	5.4	22	19.4	10	13	14	10
5511600018	8	1/4	7.1	22	18.7	10	16	14	10
5511600019	8	3/8	8.1	22	20.1	10	20	14	10
5511600020	8	1/2	9.6	22	22.1	10	25	14	10
5511600021	10	1/4	7.1	26.5	22.8	13	16	17	10
5511600022	10	3/8	8.1	26.5	22.3	13	20	17	10
5511600023	10	1/2	9.6	26.5	23.8	13	25	17	10
5511600024	12	1/4	7.1	30	24.1	16	16	20	10
5511600025	12	3/8	8.1	30	23.6	16	20	20	10
5511600026	12	1/2	9.6	30	25.1	16	25	20	10
5511600027	14	3/8	8.1	31	28.1	18	20	21	10
5511600028	14	1/2	9.6	31	26.1	18	25	21	10

55130

RACCORDO A L INTERMEDIO - ELBOW CONNECTOR


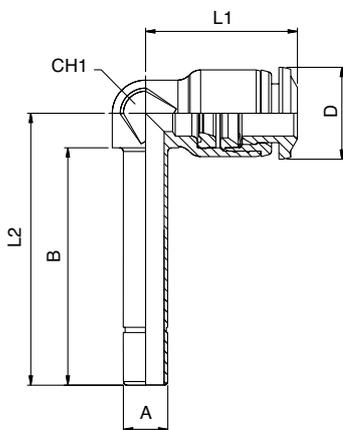
Codice Code	Tubo Tube	L	CH	D	Conf. Pack.
551300002	4	16.5	9	10	10
551300003	5	20	11	12	10
551300004	6	20.5	11	12	10
551300005	8	22	13	14	10
551300006	10	26.5	16	17	10
551300007	12	30	19	20	10
551300008	14	30.5	20	21	10

55140

RACCORDO A L CON CODA LISCIA CORTA - ORIENTING ELBOW


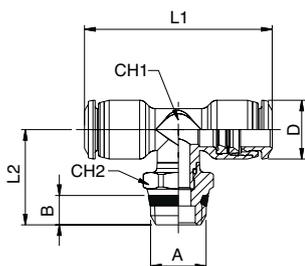
Codice Code	Tubo Tube	A	B	L1	L2	CH1	D	Conf. Pack.
551400001	4	4	17	16.5	20.8	7	10	10
551400002	4	6	19	16.5	22.8	7	10	10
551400005	6	6	19	20.5	23.7	9	12.5	10
551400006	6	4	17	20.5	21.7	9	12.5	10
551400007	8	8	20	22	26	10	14	10
551400008	8	10	21.8	22	27.6	10	14	10
551400009	10	10	22.5	26.5	30	13	17	10
551400010	10	12	24.7	26.5	32.2	13	17	10
551400011	12	12	25.5	30	33.5	16	20	10

55150

RACCORDO A L CON CODA LISCIA LUNGA - ORIENTING ELBOW


Codice Code	Tubo Tube	A	B	L1	L2	CH1	D	Conf. Pack.
551500001	4	4	28	16.5	31.8	7	10	10
551500002	4	6	30.5	16.5	34.3	7	10	10
551500005	6	6	32.3	20.5	37	9	12.5	10
551500006	6	4	30	20.5	34.7	9	12.5	10
551500007	8	8	36	22	42	10	14	10
551500008	8	10	37.5	22	43.1	10	14	10
551500009	10	10	40.8	26.5	48.3	13	17	10
551500010	10	12	43.2	26.5	50.7	13	17	10
551500011	12	12	47	31	55	16	20	10

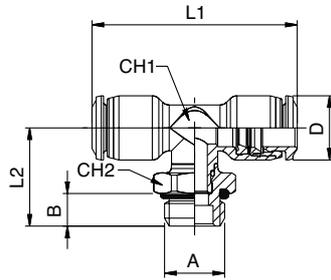
55211

RACCORDO A T ORIENTABILE MASCHIO SHORT - ORIENTING TEE MALE ADAPTOR (SHORT) - CENTRE LEG


Codice Code	Tubo Tube	A	B	L1	L2	CH1	CH2	D	Conf. Pack.
552110001	4	1/8	5.5	33	18.7	7	13	10	10
552110002	4	1/4	7	33	20.2	7	15	10	10
552110003	5	1/8	5.5	40	20	9	13	12	10
552110004	6	1/8	5.5	41	20	9	13	12.5	10
552110005	6	1/4	7	41	21.5	9	15	12.5	10
552110008	8	1/8	5.5	44	21.2	10	13	14	10
552110009	8	1/4	7	44	22.7	10	15	14	10
552110010	8	3/8	7.5	44	23.2	10	17	14	10
552110012	10	1/4	7	53	25.7	13	16	17	10
552110013	10	3/8	7.5	53	25.7	13	17	17	10
552110014	10	1/2	9	53	28.2	13	21	17	10
552110015	12	1/4	7	60	27.1	16	16	20	10
552110016	12	3/8	7.5	60	27.1	16	17	20	10
552110017	12	1/2	9	60	29.6	16	21	20	10
552110018	14	3/8	7.5	61	30.2	18	20	21	10
552110019	14	1/2	9	61	30.7	18	21	21	10

55216

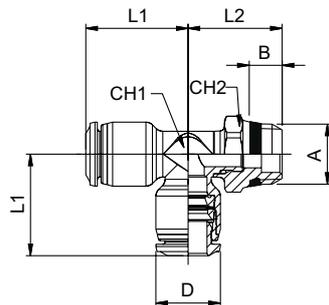
RACCORDO A T ORIENTABILE MASCHIO CILINDRICO - ORIENTING TEE MALE ADAPTOR (PARALLEL) - CENTRE LEG



Codice Code	Tubo Tube	A	B	L1	L2	CH1	CH2	D	Conf. Pack.
552160002	4	M5	3.6	33	15.5	7	9	10	10
552160004	4	1/8	5.4	33	17.1	7	13	10	10
552160005	4	1/4	7.1	33	18.8	7	16	10	10
552160007	5	M5	3.6	40	14.7	9	9	12	10
552160009	5	1/8	5.4	40	18.4	9	13	12	10
552160011	6	M5	3.6	41	14.7	9	9	12.5	10
552160013	6	1/8	5.4	41	18.4	9	13	12.5	10
552160014	6	1/4	7.1	41	20	9	16	12.5	10
552160017	8	1/8	5.4	44	22.1	10	13	14	10
552160018	8	1/4	7.1	44	21.4	10	16	14	10
552160019	8	3/8	8.1	44	22.8	10	20	14	10
552160021	10	1/4	7.1	53	26.7	13	16	17	10
552160022	10	3/8	8.1	53	26.2	13	20	17	10
552160023	10	1/2	9.6	53	27.7	13	25	17	10
552160024	12	1/4	7.1	61.5	28.1	16	16	20	10
552160025	12	3/8	8.1	61.5	27.6	16	20	20	10
552160026	12	1/2	9.6	61.5	29.1	16	25	20	10
552160027	14	3/8	8.1	61	31.8	18	20	21	10
552160028	14	1/2	9.6	61	29.8	18	25	21	10

55223

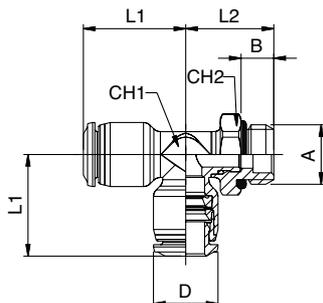
RACCORDO A T ORIENTABILE MASCHIO LATERALE SHORT - ORIENTING TEE MALE ADAPTOR (SHORT) - OFF - SET LEG



Codice Code	Tubo Tube	A	B	L1	L2	CH1	CH2	D	Conf. Pack.
552230001	4	1/8	5.5	16.5	18.2	7	13	10	10
552230002	4	1/4	7	16.5	19.7	7	15	10	10
552230003	5	1/8	5.5	20	17.4	9	13	12	10
552230004	6	1/8	5.5	20.5	17.4	9	13	12.5	10
552230005	6	1/4	7	20.5	18.9	9	15	12.5	10
552230008	8	1/8	5.5	22	18.9	10	13	14	10
552230009	8	1/4	7	22	20.4	10	15	14	10
552230010	8	3/8	7.5	22	20.9	10	17	14	10
552230012	10	1/4	7	26.5	21.8	13	16	17	10
552230013	10	3/8	7.5	26.5	21.8	13	17	17	10
552230014	10	1/2	9	26.5	24.3	13	21	17	10
552230015	12	1/4	7	31	23.1	16	16	20	10
552230016	12	3/8	7.5	31	23.1	16	17	20	10
552230017	12	1/2	9	31	25.6	16	21	20	10
552230018	14	3/8	7.5	30.5	26.5	18	20	21	10
552230019	14	1/2	9	30.5	27	18	21	21	10

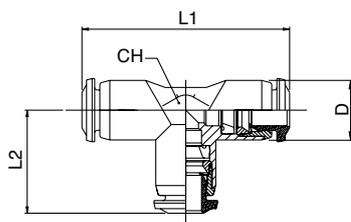
55226

RACCORDO A T ORIENTABILE MASCHIO LATERALE CILINDRICO - ORIENTING TEE MALE ADAPTOR (PARALLEL) - OFF - SET LEG



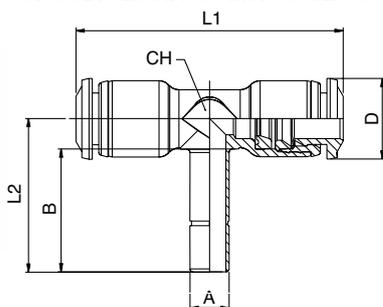
Codice Code	Tubo Tube	A	B	L1	L2	CH1	CH2	D	Conf. Pack.
552260002	4	M5	3.6	16.5	15.5	7	9	10	10
552260004	4	1/8	5.4	16.5	16.6	7	13	10	10
552260005	4	1/4	7.1	16.5	18.3	7	16	10	10
552260007	5	M5	3.6	20	14.7	9	9	12	10
552260009	5	1/8	5.4	20	15.8	9	13	12	10
552260011	6	M5	3.6	20.5	14.7	9	9	12.5	10
552260013	6	1/8	5.4	20.5	15.8	9	13	12.5	10
552260014	6	1/4	7.1	20.5	17.5	9	16	12.5	10
552260017	8	1/8	5.4	22	19.8	10	13	14	10
552260018	8	1/4	7.1	22	19.1	10	16	14	10
552260019	8	3/8	8.1	22	20.5	10	20	14	10
552260021	10	1/4	7.1	26.5	22.8	13	16	17	10
552260022	10	3/8	8.1	26.5	22.3	13	20	17	10
552260023	10	1/2	9.6	26.5	23.8	13	25	17	10
552260024	12	1/4	7.1	31	24.1	16	16	20	10
552260025	12	3/8	8.1	31	23.6	16	20	20	10
552260026	12	1/2	9.6	31	25.1	16	25	20	10
552260027	14	3/8	8.1	30.5	28.1	18	20	21	10
552260028	14	1/2	9.6	30.5	26.1	18	25	21	10

55230

RACCORDO A T INTERMEDIO - TEE CONNECTOR


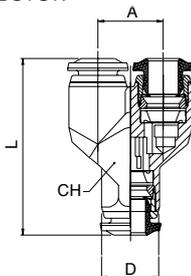
Codice Code	Tubo Tube	L1	L2	CH	D	Conf. Pack.
5523000002	4	33	16.5	9	10	10
5523000003	5	40	20	11	12	10
5523000004	6	41	20.5	11	12	10
5523000005	8	44	22	13	14	10
5523000006	10	53	26.5	16	17	10
5523000007	12	61.5	30	19	20	10
5523000008	14	61	30.5	20	21	10

55240

RACCORDO A T ORIENTABILE CON CODA LISCIA CORTA - ORIENTING TEE


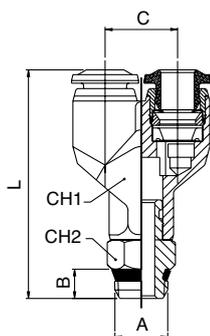
Codice Code	Tubo Tube	A	B	L1	L2	CH	D	Conf. Pack.
5524000001	4	4	17	33	20.7	7	10	10
5524000002	4	6	19	33	22.7	7	10	10
5524000005	6	6	19	41	23.7	9	12.5	10
5524000006	6	4	17	41	21.7	9	12.5	10
5524000007	8	8	20	44	26	10	14	10
5524000008	8	10	22.2	44	28	10	14	10
5524000009	10	10	22.5	53	30	13	17	10
5524000010	10	12	25	53	32.2	13	17	10
5524000011	12	12	25.5	61.5	33.5	16	20	10

55310

RACCORDO A Y INTERMEDIO - Y CONNECTOR


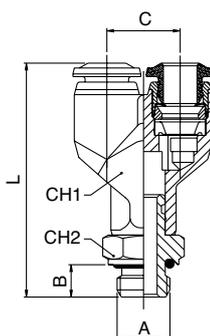
Codice Code	Tubo Tube	A	L	CH	D	Conf. Pack.
5531000002	4	11	31.5	10	10	10
5531000004	6	13.5	37	12	12	10
5531000005	8	15.5	40	14	14	10
5531000006	10	19	48.5	17	18	10
5531000007	12	22	57.5	20	20	10

55320

RACCORDO A Y ORIENTABILE MASCHIO SHORT - ORIENTING Y MALE ADAPTOR (SHORT)


Codice Code	Tubo Tube	A	B	C	L	CH1	CH2	Conf. Pack.
5532000002	4	1/8	5.5	11	38	10	11	10
5532000007	4	1/4	7	11	40.5	10	14	10
5532000003	6	1/8	5.5	13.5	43	12	11	10
5532000004	6	1/4	7	13.5	45.5	12	14	10
5532000005	8	1/8	5.5	15.5	46.5	14	11	10
5532000006	8	1/4	7	15.5	49	14	14	10
5532000008	8	3/8	7.5	15.5	49.5	14	17	10
5532000009	10	1/4	7	19	56.5	17	14	10
5532000010	10	3/8	7.5	19	57.5	17	17	10
5532000011	10	1/2	9	19	60	17	21	10
5532000012	12	3/8	7.5	22	66.5	20	17	10
5532000013	12	1/2	9	22	68	20	21	10

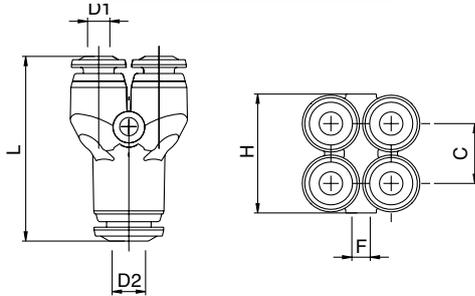
55325

RACCORDO A Y ORIENTABILE MASCHIO CILINDRICO - ORIENTING Y MALE ADAPTOR (PARALLEL)


Codice Code	Tubo Tube	A	B	C	L	CH1	CH2	Conf. Pack.
5532500002	4	M5	4	11	36.5	10	10	10
5532500003	4	1/8	6	11	38.5	10	13	10
5532500009	4	1/4	8	11	40.5	10	16	10
5532500004	6	M5	4	13.5	41.5	12	10	10
5532500005	6	1/8	6	13.5	43.5	12	13	10
5532500006	6	1/4	8	13.5	46.5	12	16	10
5532500007	8	1/8	6	15.5	47	14	13	10
5532500008	8	1/4	8	15.5	50	14	16	10
5532500010	8	3/8	9	15.5	52	14	20	10
5532500011	10	1/4	8	19	59.5	17	16	10
5532500012	10	3/8	9	19	59.5	17	20	10
5532500013	10	1/2	10	19	62	17	24	10
5532500014	12	3/8	9	22	68.5	20	20	10
5532500015	12	1/2	10	22	71	20	24	10

55330

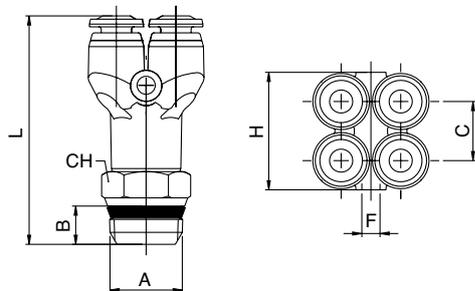
RACCORDO MULTIPLO A Y INTERMEDIO - Y CONNECTOR MANIFOLD



Codice Code	D1	D2	C	L	F	H	Conf. Pack.
5533000001	4	4	10.8	33.5	3.3	21.5	10
5533000002	4	6	10.8	34.5	3.3	21.5	10
5533000003	6	6	13.3	39.5	3.3	26.8	10
5533000004	6	8	13.3	40	3.3	26.8	10

55340

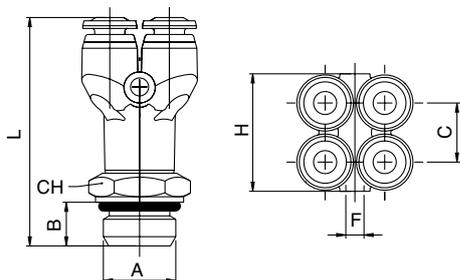
RACCORDO MULTIPLO A Y ORIENTABILE MASCHIO SHORT - Y CONNECTOR ORIENTING MALE ADAPTOR (SHORT)



Codice Code	Tubo Tube	A	B	C	L	H	CH	F	Conf. Pack.
5534000001	4 1/8	5.5	10.8	39.5	21.5	11	3.3	10	
5534000002	4 1/4	7	10.8	42	21.5	14	3.3	10	
5534000003	6 1/8	5.5	13.3	46.5	26.8	11	3.3	10	
5534000004	6 1/4	7	13.3	48	26.8	14	3.3	10	

55345

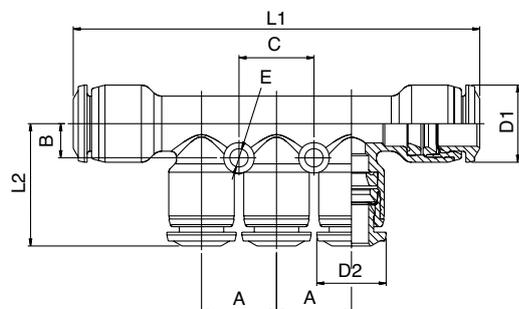
RACCORDO MULTIPLO A Y ORIENTABILE MASCHIO CILINDRICO - Y CONNECTOR ORIENTING MALE ADAPTOR (PARALLEL)



Codice Code	Tubo Tube	A	B	C	L	H	CH	F	Conf. Pack.
5534500001	4 1/8	6	10.8	40	21.5	13	3.3	10	
5534500002	4 1/4	8	10.8	42	21.5	16	3.3	10	
5534500003	6 1/8	6	13.3	47	26.8	13	3.3	10	
5534500004	6 1/4	8	13.3	49	26.8	16	3.3	10	

55350

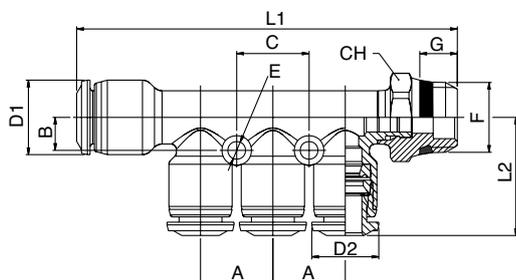
RACCORDO MULTIPLO DI RIDUZIONE - REDUCTION MANIFOLD



Codice Code	Tubo Tube	A	B	L1	L2	C	D1	D2	E	Conf. Pack.
553500001	6-4	13.5	6	74	21.8	13.5	14	12	3.3	10
553500002	8-4	13.5	6	73	21.8	13.5	14	12	3.3	10
553500003	8-6	13.5	6	73	22.3	13.5	14	12.5	3.3	10
553500004	10-6	15	7	83	23.7	15	17	14	3.3	10
553500005	10-8	15	7	83	23.2	15	17	14	3.3	10

55360

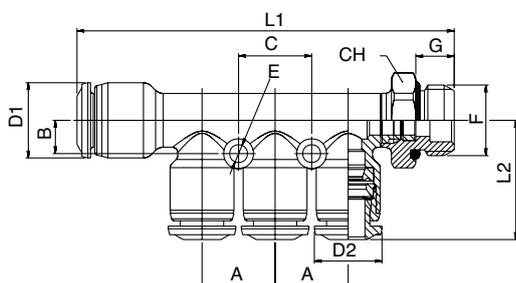
RACCORDO MULTIPLO DI RIDUZIONE ORIENTABILE MASCHIO SHORT - REDUCTION MANIFOLD ORIENTING MALE ADAPTOR (SHORT)



Codice Code	Tubo Tube	F	A	B	L1	L2	C	D1	D2	E	G	CH	Conf. Pack.
553600001	6-4 1/8	13.5	6	70	21.8	13.5	14	12	3.3	5.5	13	10	
553600002	6-4 1/4	13.5	6	71.4	21.8	13.5	14	12	3.3	7	15	10	
553600003	8-4 1/8	13.5	6	70	21.8	13.5	14	12	3.3	5.5	13	10	
553600004	8-4 1/4	13.5	6	71.4	21.8	13.5	14	12	3.3	7	15	10	
553600005	8-6 1/8	13.5	6	70	22.3	13.5	14	12.5	3.3	5.5	13	10	
553600006	8-6 1/4	13.5	6	71.4	22.3	13.5	14	12.5	3.3	7	15	10	
553600007	10-6 1/4	15	7	81.5	23.7	15	17	14	3.3	7	16	10	
553600008	10-6 3/8	15	7	81.5	23.7	15	17	14	3.3	7.5	17	10	
553600009	10-8 1/4	15	7	81.5	23.2	15	17	14	3.3	7	16	10	
553600010	10-8 3/8	15	7	81.5	23.2	15	17	14	3.3	7.5	17	10	

55365

RACCORDO MULTIPLO DI RIDUZIONE ORIENTABILE MASCHIO CILINDRICO - REDUCTION MANIFOLD ORIENTING MALE ADAPTOR (PARALLEL)



Codice Code	Tubo Tube	F	A	B	L1	L2	C	D1	D2	E	G	CH	Conf. Pack.
553650001	6-4 1/8	13.5	6	70.7	21.8	13.5	14	12	3.3	5.4	13	10	
553650002	6-4 1/4	13.5	6	70	21.8	13.5	14	12	3.3	7.1	16	10	
553650003	8-4 1/8	13.5	6	70.7	21.8	13.5	14	12	3.3	5.4	13	10	
553650004	8-4 1/4	13.5	6	70	21.8	13.5	14	12	3.3	7.1	16	10	
553650005	8-6 1/8	13.5	6	70.7	22.3	13.5	14	12.5	3.3	5.4	13	10	
553650006	8-6 1/4	13.5	6	70	22.3	13.5	14	12.5	3.3	7.1	16	10	
553650007	10-6 1/4	15	7	82.4	23.7	15	17	14	3.3	7.1	16	10	
553650008	10-6 3/8	15	7	82	23.7	15	17	14	3.3	8.1	20	10	
553650009	10-8 1/4	15	7	82.4	23.2	15	17	14	3.3	7.1	16	10	
553650010	10-8 3/8	15	7	82	23.2	15	17	14	3.3	8.1	20	10	

Assemblaggio Viti con Anelli Orientabili / Banjo Stem Assemblies

Esempi di assemblaggio delle viti con anelli orientabili singoli e doppi.

Assembling examples of various banjo stems with single and double banjo bodies.



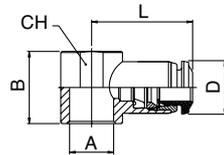
VITE CAVA SINGOLA
BANJO STEM SINGLE

VITE CAVA DOPPIA
BANJO STEM DOUBLE

VITE CAVA TRIPLA
BANJO STEM TRIPLE

55500

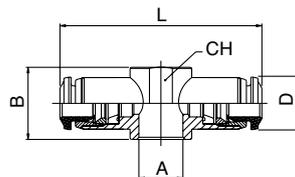
ANELLO ORIENTABILE A L - SINGLE BANJO BODY



Codice Code	Tubo Tube	A	B	L	CH	D	Conf. Pack.
555000001	4	M5	14	19.5	9	10	10
555000002	4	M6	14	19.5	9	10	10
555000003	4	1/8	16.5	21.5	14	10	10
555000004	5	M5	14	20.5	9	12	10
555000005	5	M6	14	20.5	9	12	10
555000006	5	1/8	16.5	22.5	14	12	10
555000007	5	1/4	18.5	25	18	12	10
555000008	6	M5	14	21	9	12	10
555000009	6	M6	14	21	9	12	10
555000010	6	1/8	16.5	23	14	12	10
555000011	6	1/4	18.5	25.5	18	12	10
555000012	8	1/8	16.5	23.5	14	14	10
555000013	8	1/4	18.5	26	18	14	10
555000014	8	3/8	22	27.5	21	14	10
555000015	10	3/8	22	30.5	21	17	10
555000016	12	3/8	22	32.5	21	20	10
555000017	12	1/2	26	35	26	20	10

55510

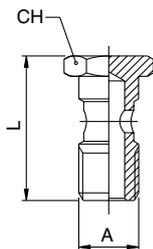
ANELLO ORIENTABILE A T - DOUBLE BANJO BODY



Codice Code	Tubo Tube	A	B	L	CH	D	Conf. Pack.
555100001	4	M5	14	39	9	10	10
555100003	4	1/8	16.5	43	14	10	10
555100006	5	1/8	16.5	45	14	12	10
555100007	5	1/4	18.5	50	18	12	10
555100010	6	1/8	16.5	46	14	12	10
555100011	6	1/4	18.5	51	18	12	10
555100012	8	1/8	16.5	47	14	14	10
555100013	8	1/4	18.5	52	18	14	10

55410

VITE CAVA SINGOLA - BANJO STEM SINGLE

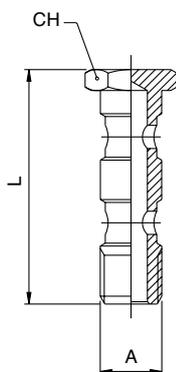


Codice Code	A	L	CH	Conf. Pack.
554100001B5NB	M5	22	8	25
554100001B8NB	M6	23	8	25
55410000102NB	1/8	28	14	25
55410000103NB	1/4	32	17	25
55410000104NT	3/8	36	19	25
55410000105NT	1/2	42	24	25
554100001D6NT	*M12x1.5	32	17	25

*CON QUESTA VITE UTILIZZARE GLI ANELLI ORIENTABILI DA 1/4.
*WITH THIS BANJO STEM USING 1/4 ORIENTING BANJO BODY.

55420

VITE CAVA DOPPIA - BANJO STEM DOUBLE

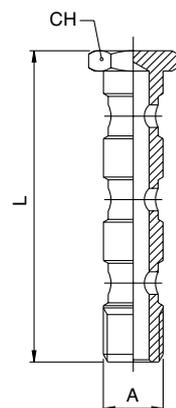


Codice Code	A	L	CH	Conf. Pack.
55420000102NT	1/8	44.5	14	25
55420000103NT	1/4	50.5	17	25
55420000104NT	3/8	58	19	25
55420000105NT	1/2	68	24	25
554200001D6NT	*M12x1.5	50.5	17	25

*CON QUESTA VITE UTILIZZARE GLI ANELLI ORIENTABILI DA 1/4.
*WITH THIS BANJO STEM USING 1/4 ORIENTING BANJO BODY.

55430

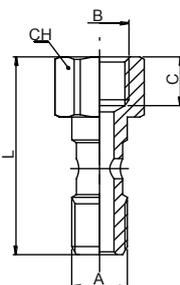
VITE CAVA TRIPLA - BANJO STEM TRIPLE



Codice Code	A	L	CH	Conf. Pack.
55430000102NT	1/8	61	14	25
55430000103NT	1/4	69	17	25
55430000104NT	3/8	80	19	25
55430000105NT	1/2	94	24	10

55440

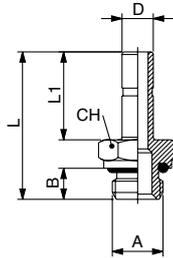
VITE CAVA SINGOLA MASCHIO - FEMMINA - MALE - FEMALE BANJO STEM SINGLE



Codice Code	A	B	C	L	CH	Conf. Pack.
55440000102NB	1/8	1/8	8.5	34.5	14	25
55440000103NB	1/4	1/4	11	40.5	17	25
55440000104NB	3/8	3/8	12	45.5	19	25

50600

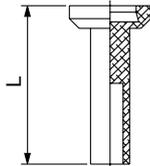
ADATTATORE MASCHIO CILINDRICO - MALE ADAPTOR PARALLEL



Codice Code	D	A	B	L	L1	CH	Conf. Pack.
506000001	4	M5	4	24	15	8	10
506000002	4	1/8	6	26.5	15	13	10
506000012	5	M5	4	26	17	8	10
506000013	5	1/8	6	28.5	17	13	10
506000014	5	1/4	8	31	17	16	10
506000015	6	M5	4	26	17	8	10
506000003	6	1/8	6	28.5	17	13	10
506000004	6	1/4	8	31	17	16	10
506000005	8	1/8	6	29.5	18	13	10
506000006	8	1/4	8	32	18	16	10
506000007	8	3/8	9	33.5	18	20	10
506000016	10	1/8	6	33.5	22	13	10
506000008	10	1/4	8	36	22	16	10
506000009	10	3/8	9	37.5	22	20	10
506000010	12	1/4	8	38.5	24.5	16	10
506000011	12	3/8	9	40	24.5	20	10

8610

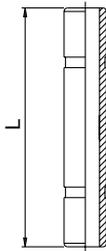
TAPPO IN POLIAMIDE - POLYAMIDE PLUG



Codice Code	Tubo Tube	L	Conf. Pack.
086100031X0RO	3	18	25
086100031X1RO	4	23.5	25
086100031X3RO	5	24.5	25
086100031X4RO	6	24.5	25
086100031X7RO	8	26	25
086100031X9RO	10	28.5	25
086100031Y1RO	12	28.5	25
086100031Y3RO	14	28.5	20

50625

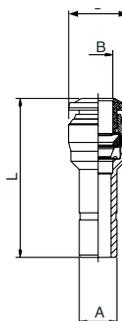
GIUNZIONE DOPPIA - DOUBLE JOINT



Codice Code	Tubo Tube	L	Conf. Pack.
506250001X1NB	4	31	10
506250001X3NB	5	33	10
506250001X4NB	6	34	10
506250001X7NB	8	36	10
506250001X9NB	10	45	10
506250001Y1NB	12	50	10

50700N

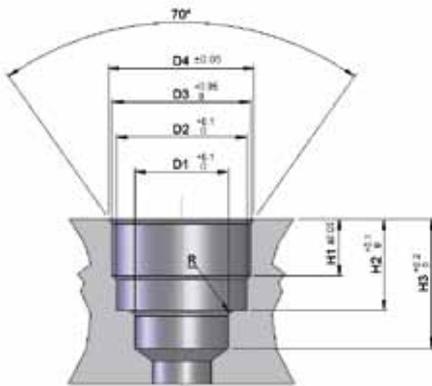
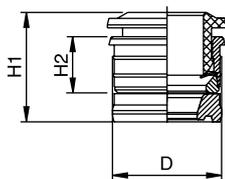
RIDUZIONE - REDUCER



Codice Code	A	B	L	D	Conf. Pack.
5070000N06	4	3	30	8.5	10
5070000N04	5	4	32	11.5	10
5070000N01	6	4	30	10.5	10
5070000N05	6	5	34.5	11.5	10
5070000N08	8	4	32.5	10.5	10
5070000N02	8	6	34.5	12.5	10
5070000N09	10	4	31.5	10.5	10
5070000N03	10	8	38.5	14.5	10
5070000N07	12	8	39.5	14.5	10
5070000N10	12	10	43	17.5	10

55800N

CARTUCCE A COMPRESSIONE - PUSH-FIT CARTRIDGES



Codice Code	Tubo Tube	D	H1	H2	Conf. Pack.
558000N08	3	6.7	9	5	25
558000N01	4	8.7	10.4	5.6	25
558000N02	5	9.75	11.8	6.3	25
558000N03	6	10.75	12.4	6.9	25
558000N04	8	12.7	12.4	6.9	25
558000N05	10	15.7	15.7	8.5	25
558000N06	12	18.3	17.8	9.5	25

55800

SEDE - SEAT

DIMENSIONI SEDI CARTUCCE A COMPRESSIONE
SEATS DIMENSIONS PUSH-FIT CARTRIDGES

Tubo Tube	D1	D2	D3	D4	H1	H2	H3	R
3	3.4	6.05	6.4	6.95	3.7	6.1	8.6	0.5
4	4.2	7.45	8.4	9	3.75	6.5	9.5	0.5
5	5.2	8.35	9.4	10.15	4.45	7.9	10.5	0.5
6	6.2	9.35	10.45	11.35	5	8.5	11.5	0.5
8	8.2	11.4	12.4	12.9	5.2	8.5	12.5	0.75
10	10.2	14.5	15.4	16	6.7	10.5	15	0.75
12	12.2	17	18	19	7.5	12.1	17	1

55801

FRESA SEDE CARTUCCE A COMPRESSIONE
TOOL FOR PUSH-FIT CARTRIDGES SEAT



Codice Code	Tubo Tube	Ø Gambo ø Body	Conf. Pack.
5580100007	3	10	1
5580100001	4	10	1
5580100006	5	12	1
5580100002	6	12	1
5580100003	8	12	1
5580100004	10	16	1
5580100005	12	16	1

55802

CANOTTO MONTAGGIO CARTUCCE A COMPRESSIONE
ASSEMBLING TOOL FOR PUSH-FIT CARTRIDGES



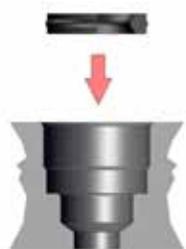
Codice Code	Tubo Tube	Conf. Pack.
5580200001	3	1
5580200002	4	1
5580200003	5	1
5580200004	6	1
5580200005	8	1
5580200006	10	1
5580200007	12	1

ISTRUZIONI DI MONTAGGIO CARTUCCE A COMPRESSIONE ART. 55800N PUSH-FIT CARTRIDGES ASSEMBLING INSTRUCTIONS ART. 55800N

Realizzare la sede per la cartuccia utilizzando l'apposita fresa Art. 55801
Make the seat for the cartridge utilizing the suitable tool Art. 55801



2



Inserire la guarnizione a labbro nell'apposita sede.
Insert the lip seal inside of the seat.

Inserire la cartuccia nel canotto di montaggio Art. 55802
Insert the cartridge into the assembling tool Art. 55802



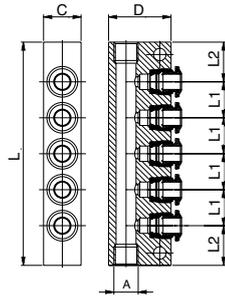
3



Premere la cartuccia all'interno della sede fino ad arrivare in battuta sul piano con il canotto.
Press the cartridge inside of the seat until it will be reached the abutment surface with the assembling tool.

50900N

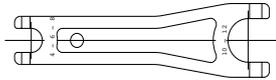
RIPARTITORE IN ALLUMINIO A 5 VIE - ALUMINIUM MANIFOLD 5 WAYS



Codice Code	Tubo Tube	A	C	D	L	L1	L2	Conf. Pack.
5090000N01	4	1/8	15	25	75	12	13.5	5
5090000N02	6	1/8	15	25	90	14.5	16	5
5090000N03	6	1/4	20	30	90	14.5	16	5
5090000N04	8	1/4	20	30	100	16	18	5

50990

LEVA SGANCIO ADATTATORI - TOOL FOR DISASSEMBLING

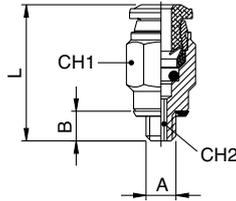


Codice Code	Conf. Pack.
5099000001	10

Serie 56000 "mini"

56020

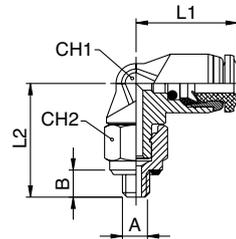
RACCORDO MASCHIO CILINDRICO - STRAIGHT MALE ADAPTOR (PARALLEL)



Codice Code	Tubo Tube	A	B	L	CH1	CH2	Conf. Pack.
5602000001	2	M3	3	13.5	6	1.5	50
5602000002	2	M5	4	12.5	7	1.5	50
5602000003	3	M3	3	13.5	6	1.5	50
5602000004	3	M5	4	13.5	7	2	50

56115

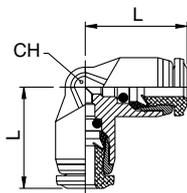
RACCORDO A L ORIENTABILE MASCHIO CILINDRICO - ORIENTING ELBOW MALE ADAPTOR (PARALLEL)



Codice Code	Tubo Tube	A	B	L1	L2	CH1	CH2	Conf. Pack.
5611500001	2	M3	3	11	13.5	6	8	50
5611500002	2	M5	4	11	12.5	6	8	50
5611500003	3	M3	3	11	13.5	6	8	50
5611500004	3	M5	4	11	12.5	6	8	50

56130

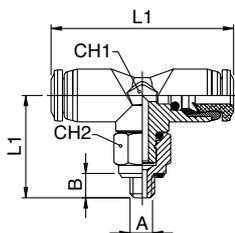
RACCORDO A L INTERMEDIO - ELBOW CONNECTOR



Codice Code	Tubo Tube	L	CH	Conf. Pack.
5613000001	2	11	6	50
5613000002	3	11	6	50

56215

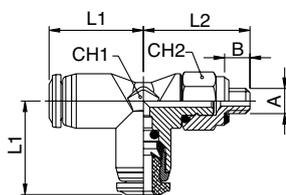
RACCORDO A T ORIENTABILE MASCHIO CILINDRICO - ORIENTING TEE MALE ADAPTOR (PARALLEL) - CENTRE LEG



Codice Code	Tubo Tube	A	B	L1	L2	CH1	CH2	Conf. Pack.
5621500001	2	M3	3	22	12.5	6	8	50
5621500002	2	M5	4	22	13.5	6	8	50
5621500003	3	M3	3	22	12.5	6	8	50
5621500004	3	M5	4	22	13.5	6	8	50

56225

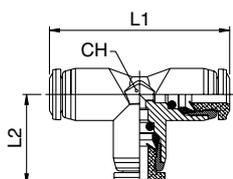
RACCORDO A T ORIENTABILE MASCHIO LATERALE CILINDRICO - ORIENTING TEE MALE ADAPTOR (PARALLEL) - OFF-CENTRE LEG



Codice Code	Tubo Tube	A	B	L1	L2	CH1	CH2	Conf. Pack.
5622500001	2	M3	3	11	12.5	6	8	50
5622500002	2	M5	4	11	13.5	6	8	50
5622500003	3	M3	3	11	12.5	6	8	50
5622500004	3	M5	4	11	13.5	6	8	50

56230

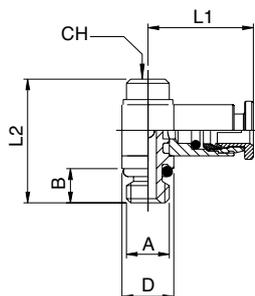
RACCORDO A T INTERMEDIO - TEE CONNECTOR



Codice Code	Tubo Tube	L1	L2	CH	Conf. Pack.
5623000001	2	22	11	6	50
5623000002	3	22	11	6	50

56550

RACCORDO ORIENTABILE A L - ORIENTING SINGLE BANJO BODY MALE



Codice Code	Tubo Tube	A	B	D	L1	L2	CH	Conf. Pack.
5655000004	3	M5	4	6	12	14.5	2	50
5655000003	3	M3	3	6	12	13.5	2	50

